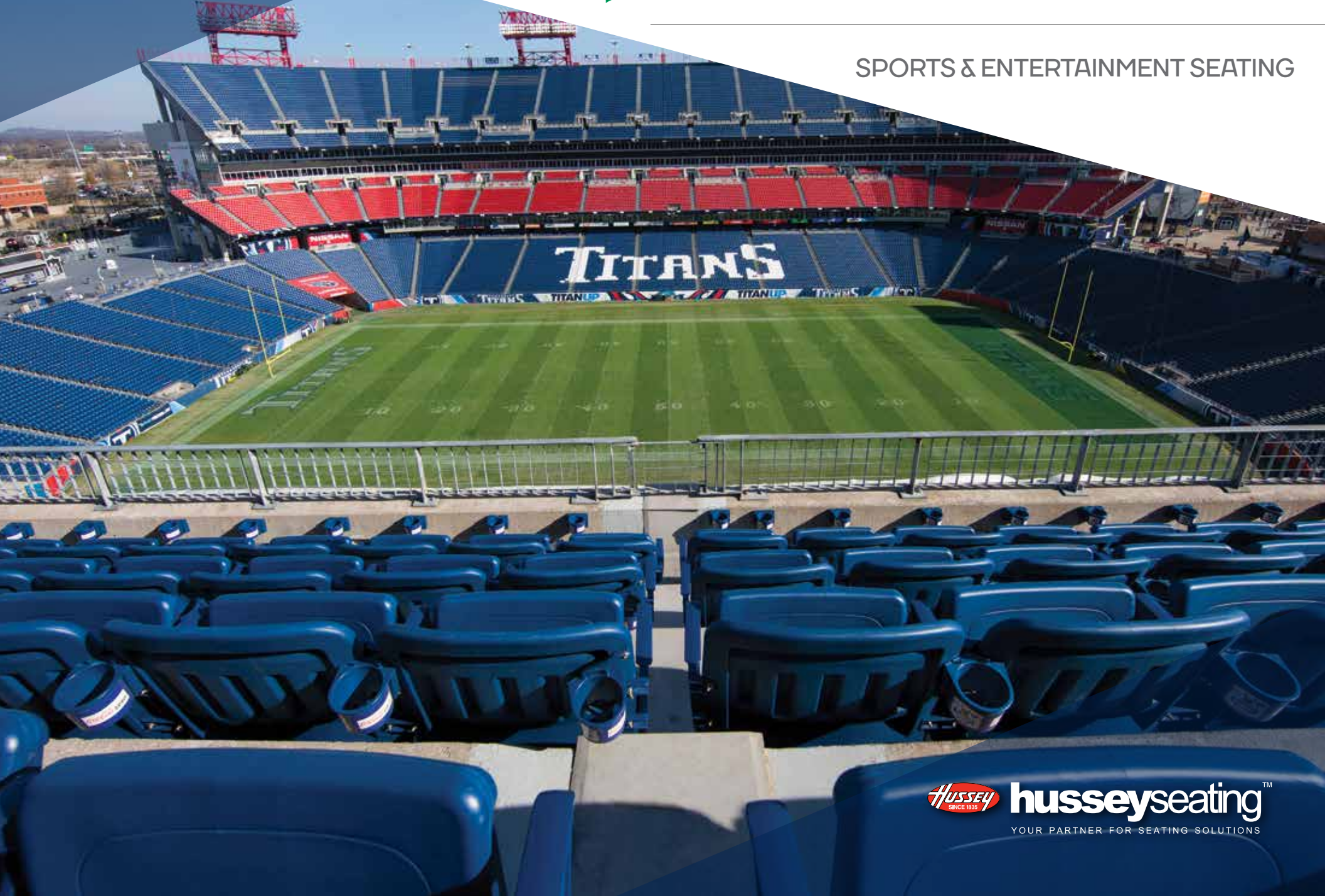


Legend[™]

fusion[™]

Quattro[™]
EXTREME

SPORTS & ENTERTAINMENT SEATING



husseyseating[™]

YOUR PARTNER FOR SEATING SOLUTIONS

MORE THAN JUST A GAME

A fan's seat is often the foundation of their entire experience at a game or event. Shouldn't your seats have as much thought put into them as you've put into the rest of the fan experience? We think so.

Here at Hussey Seating, we know a comfortable fan is a returning fan. That's why we put so much thought into designing our seats specifically for spectator events. Details like recessed hardware, ergonomic contours, and durable components combine with our decades of expertise to create comfortable seats that last season after season.

Our tradition is to listen to you, understand your unique needs, and collaborate with you to create the perfect solution. The result? Seating tailored specifically for your venue, no matter what type you need and where you need it. Durable seats that can stand up to thousands of spirited people, year after year. And comfortable fans who can't wait to come back for more.

THE SPORTS & ENTERTAINMENT SEATING

SOLUTIONS

Seat Styles	4
Fusion	6
Legend	8
Quattro Extreme	10
Options	11
Dimensional Data	13
Resources	14

DESIGNED TO PERFORM

Our decades-long history of seating the biggest and best sports facilities has provided us with a wealth of knowledge that makes our products the most reliable performers in the industry. We are dedicated to bringing our world-class quality to seating projects of every size.

Whether you are seating a few hundred fans or tens of thousands, Hussey Seating offers you the same quality, comfort and engineering innovation that we use in our professional-grade installations around the world. From small schools and local amphitheaters to leading universities and pro sports venues, Hussey delivers the perfect seating solution for your space. No one can offer more expertise in spectator seating of every kind, backed by an unrivaled network of local experts ready to assist you for the entire life of your seats.

MXP Telescopic Platform w/ Quattro[®] Chairs,
Fixed Quattro Chairs and Fusion[™] Seats
Wintrust Arena • Chicago, IL
Pelli Clarke Pelli

LONG-LASTING QUALITY

Hussey offers the most reliable line of fixed chairs in the industry today. Our Fusion™, Legend™, and Quattro Extreme™ chairs have the proven strength and easy-cleaning convenience to withstand even the most raucous crowds, harshest weather conditions and messiest concession foods — year after year. We maintain strict quality controls throughout the production process, using state-of-the-art molding and solid cast aluminum or cast iron standards for all of our chairs. And it's all backed by the industry's best warranty.



FUSION™
Combining invincible strength with style and comfort, Fusion features contemporary lines, a smooth polished finish and unrivaled performance.



LEGEND™
It's seating fit for a legend. Designed for comfort, durability and value, Legend is a classic choice for the ballpark and beyond.



QUATTRO EXTREME™
Get the luxury of an upholstered indoor chair with the durability of an outdoor stadium seat when you choose Quattro Extreme.

FUSION™

The Fusion seat is the successful result of years of product development and testing. Combining the best features of two prior models – the invincible strength of the Olympiad and comfort of the Medallion – Fusion was born. Designed to stand up to the elements and rigors of a demanding sports and entertainment venue, Fusion seats will last season after season. Plus, the Fusion seat is contoured for ergonomic support to improve the spectator experience. And with contemporary lines and a smooth, polished surface, the seat looks as good as it feels.



Sturdy solid cast aluminum stanchions are rust-proof and remain cool to the touch, even under the hot sun.

Ductile cast iron hinge arms and threaded steel metal-to-metal fasteners add durability.

For extra comfort and style, the seat features no exposed hardware, and the through bolts on the back are recessed.

Choose from a wide range of standard or custom colors to complement your stadium and team colors.

For greater flexibility, we offer a complete line of accessories and custom options.



Bringing Fusion™ Indoors

Bring the comfort and durability of Fusion to your indoor fixed seating. Yukon High School chose Fusion seats for their fixed indoor gymnasium due to the exceptional comfort and easy installation into their existing concrete bleachers.



Preferred Seating

Fusion also creates impressive and comfortable preferred seating areas. These areas often bring in more revenue for boosters and team funds.

LEGEND™

Ballpark seating gets a new lease on life with the classic Hussey Legend. Designed for comfort, durability and value, the Legend is equally at home in minor-league ballparks and schools as it is in big-league stadiums and arenas. Beyond the ballpark, Legend can be a versatile choice in many different venues, including indoor facilities.



Legend™ features a durable, blow-molded slatted back with a durable polymer seat.

Available with padded or upholstered seats.

Includes detailed cast iron standards that can be customized for your facility with an integral cast logo.

Choose from a wide range of standard or custom colors to complement your stadium and team colors.



Comfortable in the Spotlight

Perfect for private and public spaces both inside and out, the Legend's classic design and comfort is the right choice for large and small areas alike. The **Martha Wren Briggs Amphitheatre** is situated on the banks of Lake Matoaka and is home to concerts, wedding ceremonies and parties.



Bringing the Legend Indoors

Beyond the ballpark, the Legend can be a versatile choice in many different seating applications. At the **Conseco Field House arena** in Indianapolis, Legend chairs were used exclusively to maintain a consistent look throughout the facility. Hussey provided a combination of all-plastic Legends, padded Legends and custom-engineered fold-down Legend chairs mounted on Hussey telescopic platforms. This unique indoor installation has proven to be a hit with the owner, the architect and the fans alike!

QUATTRO EXTREME™

Make an impact on your most important revenue-generating guests with luxurious fixed seating with the durability needed for your open air seating. We'll help you create a custom layout that's sure to impress even your most exclusive guests.



Outdoor Luxury

Make an impact on your most important revenue-generating guests with luxurious fixed seating that will hold up to the elements. We'll help you create a custom layout like we did at Arrowhead Stadium in Kansas City, MO, that's sure to impress even your most exclusive of guests.



Custom Logo

Put the final touches on your VIP seating areas with a custom logo on the end of each seating row.

Solid cast aluminum stanchions won't rust, even if the finish is nicked. Each component is finished individually before assembly, which ensures full encapsulation for maximum protection against the elements.

Stainless steel hardware is corrosion-resistant.

Exterior-grade plastic and marine-grade Naugahyde resists UV light and mildew.

Special-Needs Features, Options and Accessories

Innovative options, accessories and special-needs features put Hussey in a league all our own. Hussey Seating gives you the flexibility to customize a solution for any venue — including innovative features to keep your facility compliant with all ADA, state and local regulations regarding special-needs access.

ADA Solutions



Flip-up and Armless Chairs
We offer solutions for semi-ambulatory spectators who need to easily slip into a regular seat. The flip-up arm allows access into end-row chairs and can be easily flipped down for a full armrest once the patron is seated. Both types can be used for standard seating when maximum capacity is required.



Skid-Mounted and Companion Chairs
Seats are mounted on skids for standard seating, and the entire assembly can be unbolted and removed at a moment's notice to accommodate wheelchair patrons. Adjacent chairs remain available for companion seating. Sections are available in 2-chair (approximately 46"/1168 mm) or 3-chair (approximately 66"/1676 mm) widths to fit one or two wheelchairs.



In-Fill Decks
To help you meet ADA code, the top two rows of chairs below the cross-aisle or concourse are removable, and can be in-filled with an aluminum platform at the same elevation as the cross-aisle. Wheelchair patrons can wheel across the concourse and directly onto the platform. When not needed, this flexible option allows you to recover the two rows of fixed chairs, maximizing your facility's revenue potential.



Roll-A-Way
This feature is made from floor mount stanchions attached to a steel base with tubular supports. Four swivel casters are mounted on hinged plates to either fold underneath for easy mobility or fold up out of the way when secured to the floor. Available in 2-chair (approx. 46"/1168 mm) or 3-chair (approx. 66"/1676 mm) widths to accommodate one or two wheelchairs. Adjacent companion chairs can be permanently installed.



Interchangeable Parts
Our Legend and Fusion seats, backs and stanchions are built to be interchangeable. Create your very own chair with the parts you want.

Left: Legend back with Fusion seat and stanchions.

Options & Accessories



Integral Logo
Your team or facility's logo can be integrated into each chair's cast iron end stanchion. Vinyl appliques can be added to color the logo.



Fusion™ Logo Plate
With Fusion's optional logo plate, graphic or cast logos can be applied at time of installation or at any point in the future.



Redirected Seating
Seats can be angled 12 degrees towards home plate, reducing neck strain. (Legend standards only).



Expansion Joints
Various plates are available for different attachment methods to accommodate expansion joints in the seating bowl.



Cup Holders
Cup holders can be attached to chairs for spill-proof convenience. Multiple styles and configurations are available, including back-attached (bolt-on or clamp-on), wall-attached and rail-attached.



Padded Backs
For extra comfort, soft padded backs on our Fusion chairs are a popular option.



Padded Seats
Foam and fabric pads add style and comfort to any of our polymer chairs.

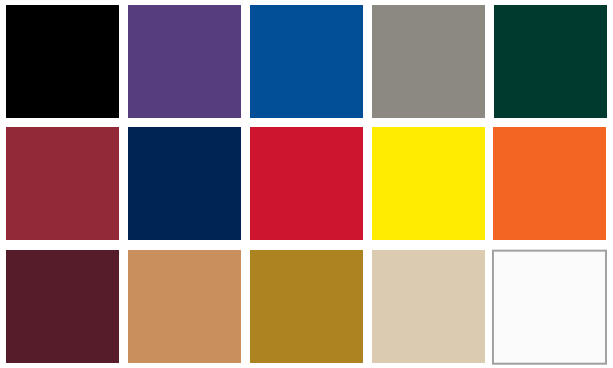


Padded Upholstered Seats
A wrapped padded seat for ultimate comfort and style. Use matching polymer and vinyl for a monotone look or two-tone with color to make your chair really pop.



Quattro Extreme Seats
Add cushioned comfort with a fully upholstered Quattro Extreme™ seat while maintaining the rugged practicality of a blow-molded polymer back. Or combine with a padded back for even more comfort!

Standard Colors & Options



Fusion & Legend Colors
Fifteen standard colors are available for all chairs; custom colors are available on request.



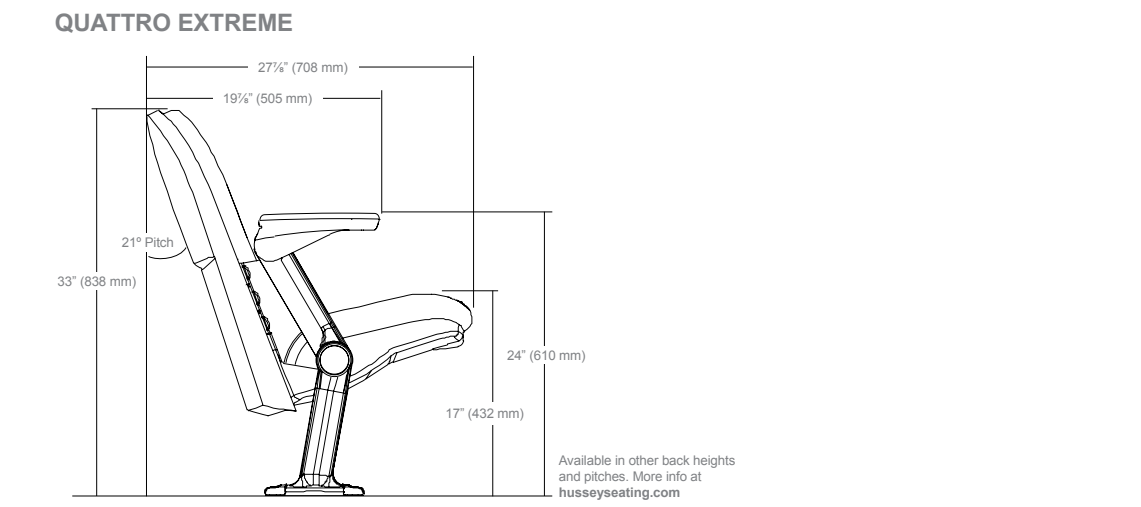
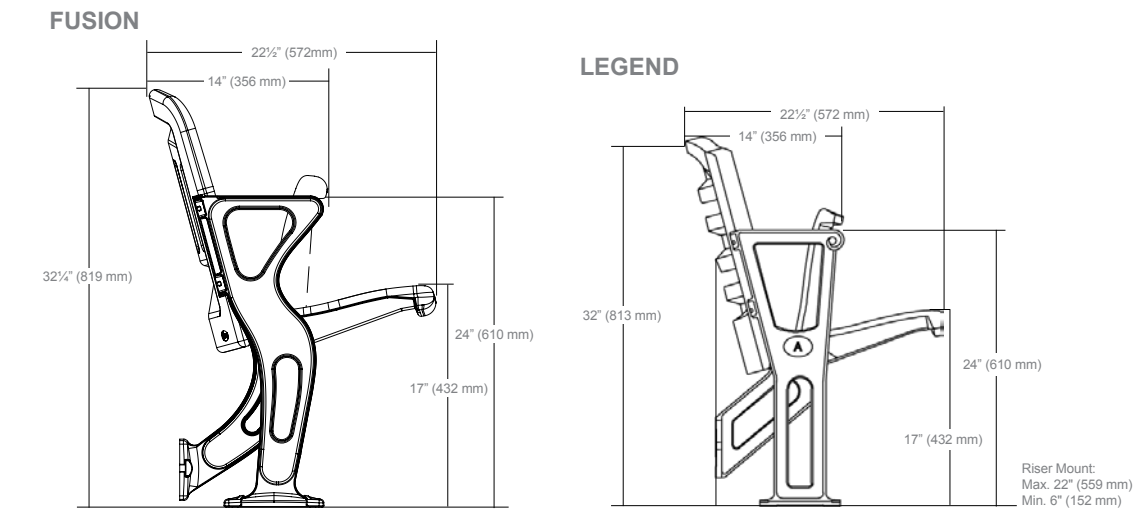
Quattro Extreme Colors
Five standard colors are available for all chairs; custom colors are available on request.

Note: Production molded parts and paint colors will vary from printed samples shown. Please request a production sample or color chip when selecting an actual color.

Seating Layout & Dimensional Data

Our Legend™, Fusion™ and Quattro Extreme™ chairs come in a variety of configurations to suit any purpose. Using the options on the previous page and the drawings and information listed here, you can choose any combination of these chairs to develop a custom Hussey Seating solution.

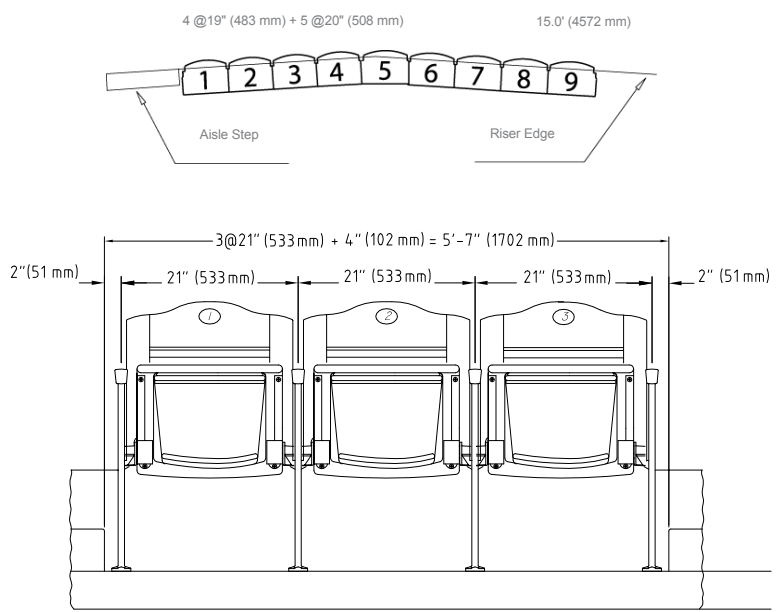
Stanchion Mounting Options



Calculating Row Length

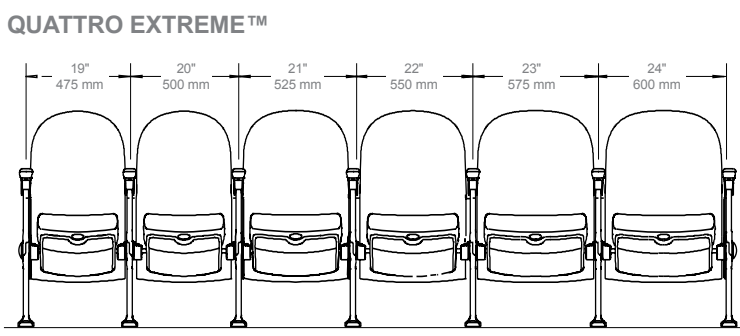
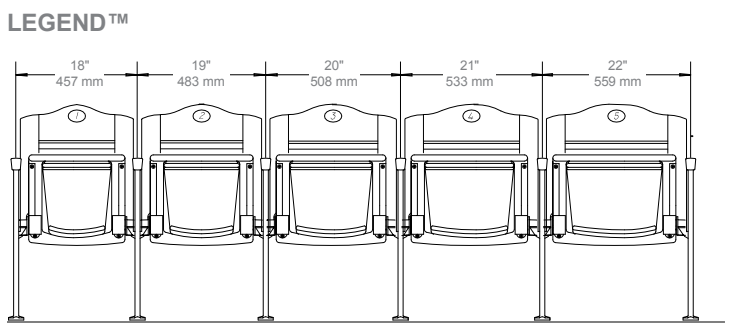
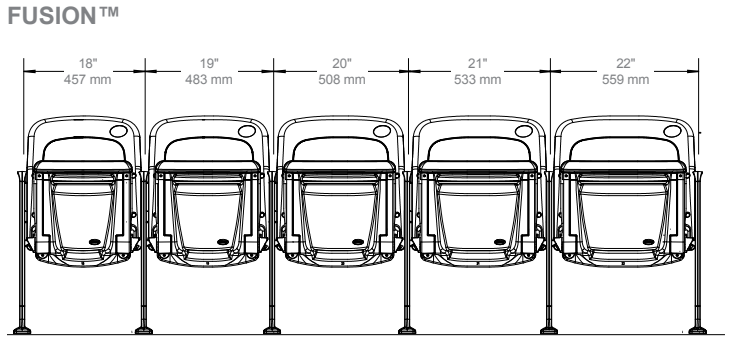
These examples illustrate how to maximize the number of seats and calculate spacing for your custom design solution.

- End spacing is 2" (51 mm) per aisle end for a total of 4" (102 mm) per continuous row.
- Note that many row lengths have varying chair size combinations not shown in these examples.



- General Notes:**
- All Pre-Cast or Poured-in-Place concrete treads must be a min. 4" (102 mm) thick with the top 2" (51 mm) clear of rebar.
 - All Pre-Cast or Poured-in-Place concrete risers must be a min. 4 1/2" (114 mm) thick. Proper anchorage will require the first 3" (76 mm) to be free and clear of rebar or any other obstruction.
 - All normal concrete must have a min. strength of 3000 psi for proper anchor attachment.
 - All light weight concrete must have a min. strength of 5000 psi for proper anchor attachment.
 - All steel risers must be a min. 1/4" – 3/8" (6-10 mm) thick Grade A-36 steel.
 - All wood floors must be a solid min. 1 1/2" (38 mm) thick.

Seat Width Options



Sustainability

At Hussey Seating, respecting the landscape we live in—and the hard work and well-being of the people we work with—has always been in our DNA and part of our heritage. Our commitment to environmentally friendly business practices has taken many forms over the years as standards and technology have changed.



In the 1970s, when the rest of the nation began to become more environmentally aware, we had already laid walking trails and planted a tree farm on our beautiful Maine campus. Today, going green means developing environmentally friendly paints and finishes, sourcing sustainable woods and metals, going beyond local and national regulations in clean manufacturing and waste disposal, and making deliveries on time while reducing our carbon footprint. We reduced our air emissions by 90% while tripling our seating business, so we know green business is good business.

Hussey seating solutions come in a wide range of colors—but every day our seats get greener. If you'd like to learn more about our sustainability efforts, please visit our website at www.husseyseating.com/sustainability

Resources

For all of S & E accessories, surface materials, fast facts, environmental data sheets and more go to HusseySeating.com.

News & Updates

- Web:** HusseySeating.com
- Facebook:** facebook.com/HusseySeating
- Twitter:** twitter.com/husseyseating
- YouTube:** youtube.com/user/hscpublic
- LinkedIn:** linkedin.com/company/hussey-seating-company

Warranty

Our factory-backed warranty is the best in the industry.

Interior Warranty
 Limited Lifetime: structural standards, cast seat supports & seat return springs
 5 years: components

Exterior Warranty
 Limited Lifetime: structural standards, cast seat supports & seat return springs
 5 years: components
 3 years: foam, powder coat finish
 1 year: upholstery stitching and thread, polymer finish

Expert Support

It's standard equipment on every Hussey product.

- Safety Inspections
- Service Contracts
- Accessories
- Custom Fabrication
- Factory-Certified Parts
- Renovation & Repair

Toll-Free (USA) 1.800.353.3308



Legend

fusion™

Quattro
EXTREME™

Hussey Seating Company™

The Hussey Seating Company story dates back to 1835 with William Hussey's tremendously successful plow design, and thus, the Hussey Plow Company was born. As times changed over the next sixty years, the family set about reinventing the business, evolving into the company that is now seating the world. Today, under the sixth generation of family leadership, Hussey Seating Company is proud to be known as the leading manufacturer of seating solutions throughout the world – in stadiums, arenas, schools, universities, colleges, places of worship and anywhere people gather.

Your partner for seating solutions.



husseyseating™

YOUR PARTNER FOR SEATING SOLUTIONS

38 Dyer Street Extension
North Berwick, Maine 03906 USA
Toll Free (USA) 1.800.341.0401
Tel: +1.207.676.2271
Fax: +1.207.676.2222
info@husseyseating.com
www.husseyseating.com

Regional Offices:
Europe
Hussey Seatway
www.husseyseatway.com
Asia-Pacific & Middle East
Hussey Asia-Pacific
www.husseyasiapacific.com

