

OLYMPIAD™

Legend™

Installation, Operation & Maintenance Manual



husseyseating™

YOUR PARTNER FOR SEATING SOLUTIONS



OLYMPIAD & LEGEND CHAIRS

INSTALLATION OPERATION MAINTENANCE MANUAL

HUSSEY SEATING COMPANY
NO. BERWICK, MAINE 03906
TEL. 1-800-341-0401
FAX No. 1-207-676-0444
(Last Revised 01/05/11)

TABLE OF CONTENTS

SECTION 1	COMPONENT DRAWING DESCRIPTIONS
SECTION 2	LAYOUT INFORMATION
2-1	DETERMINING LOCATIONS FOR ANCHOR DRILLING
2-1-1	Floor Mount Layout
2-1-2	Riser Mount Layout
2-1-3	Perpendicular Line Layout
2-1-4	Radius Line Layout
2-1-5	Chair Spacing Layout Procedure
SECTION 3	ANCHORING
3-1	RISER MOUNT STANCHION TO CONCRETE RISER
3-1-1	Required Hardware
3-1-2	Required Concrete Specifications
3-1-3	Anchor Installation Instructions
3-2	FLOOR MOUNT STANCHION TO CONCRETE FLOOR
3-2-1	Required Hardware
3-2-2	Required Concrete Specifications
3-2-3	Anchor Installation Instructions
3-3	CAST IRON OR STEEL STANCHION TO WOOD FLOOR
3-3-1	Required Hardware.
3-3-2	Required Wood Specifications.
3-3-3	Anchor Installation Instructions.
3-4	CAST IRON OR STEEL STANCHION TO STEEL FLOOR
3-4-1	Required Hardware.
3-4-2	Required Steel Specifications.
3-4-3	Anchor Installation Instructions.
3-5	CAST IRON OR STEEL STANCHION TO STEEL RISER
3-5-1	Required Hardware.
3-5-2	Required Steel Specification
3-5-3	Anchor Installation Instructions
3-6	ANCHOR TESTING
3-6-1	Anchor Testing Procedure and Frequency
3-7	ANCHOR INSTALLATION ASSISTANCE
3-7-1	Anchor Products and Installation Procedure Inquiries
3-7-2	ETO Anchor Product Offerings
SECTION 4	CHAIR ASSEMBLY
4-1	ASSEMBLY OF CHAIRS
4-1-1	Assembly of Floor Mount Chairs
4-1-2	Assembly of Riser Mount Chairs
SECTION 5	CHAIR MAINTENANCE
5-1	Inspecting & Maintaining Installed Chairs
5-1-1	Safety Inspection

5-1-2	Inspection Methods
5-1-3	Plastic
5-1-4	Fabric
5-1-5	Lubrication
5-1-6	Powder Coat
5-1-7	Building Code
SECTION 6	ACCESSORIES
6-1	Tablet Arms
6-1-1	Installation
6-2	Aisle Light & Transformer
6-2-1	Aisle Light Installation
6-2-2	Transformer Installation
6-3	Offset Plate
6-3-1	Offset Plate Installation
6-4	Removable Skids
6-4-1	Installation - Concrete Floor
6-4-2	Installation - Wood Floor
6-4-3	Rollaway Skid Units
SECTION 7	CUSTOMER ASSISTANCE
7-1	Customer Contact

SECTION 1: COMPONENT DRAWING DESCRIPTIONS

FIG1 Figure 1 is a layout of chair spacing lines found on the job seating plan.

FIG2A Figure 2A is an exploded view of a typical Floor Mount Cast Iron Olympiad Chair. The hardware called out on this drawing is Outdoor Installation Hardware. Figure 5A & Figure 5B provides a complete listing of standard indoor and outdoor hardware.

FIG2B Figure 2B is an exploded view of a typical Riser Mount Cast Iron Olympiad Chair. The hardware called out on this drawing is Outdoor Installation Hardware. Figure 5A & Figure 5B provides a complete listing of standard indoor and outdoor hardware.

FIG2C Figure 2C is an exploded view of a typical Floor Mount Cast Iron Legend Chair. The hardware called out on this drawing is Outdoor Installation Hardware. Figure 5A & Figure 5B provides a complete listing of standard indoor and outdoor hardware.

FIG2D Figure 2D is an exploded view of a typical Riser Mount Cast Iron Legend Chair. Currently, Floor Mount End Standards are used on Riser Mount installations. The hardware called out on this drawing is Outdoor Installation Hardware. Figure 5A & Figure 5B provides a complete listing of standard indoor and outdoor hardware.

- FIG3A Figure 3A is an exploded view of a typical Floor Mount Steel Olympiad Chair. The hardware called out on this drawing is Indoor Installation Hardware. Figure 5A & Figure 5B provides a complete listing of standard indoor and outdoor hardware.
- FIG3B Figure 3B is an exploded view of a typical Riser Mount Steel Olympiad Chair. The hardware called out on this drawing is Indoor Installation Hardware. Figure 5A & Figure 5B provides a complete listing of standard indoor and outdoor hardware.
- FIG4 Figure 4 is an exploded view of the installation of a Security Strap. The Security Strap is used only on intermediate, cast iron stanchions only and functions to encapsulate the seat assembly mounting bolt to prevent seat assembly slippage.
- FIG5A Figure 5A & 5B are exploded views of the hardware needed to install the Olympiad chair. The drawings depict both indoor and outdoor hardware, as well as some hardware that is common to both. Reference the job parts list for your specific application.
- FIG5B
- FIG6 Figure 6 is a layout of chair spacing, using centerline between aisles. Reference the job drawings, for quantities and sizes.
- FIG7A Figure 7A is a detail of a floor mount hole location template, for cast iron stanchions.
- FIG7B Figure 7B is a detail of a floor mount hole location template, for straight-tube steel stanchions.
- FIG7C Figure 7C is a detail of a floor mount hole location template, for reclined-tube steel stanchions.
- FIG8 Figure 8 is a detail of a riser transfer gage, for curved risers.
- FIG9 Figure 9 is a detail of floor mount anchoring arrangement for cast iron and steel stanchions.
- FIG10 Figure 10 is a detail of riser mount anchoring arrangement, for cast iron and steel stanchions.
- FIG11 Figure 11 is a layout of the perpendicular line and radius method, and the drop chart method, of locating chairs on a radius. Reference the job seating plan, for chair location.
- FIG12 Figure 12 is an exploded view of the hardware needed to install the Olympiad chair to steel risers. Reference the job parts list for specific application.

FIG13A Figure 13A & 13B identifies transformers and wiring.
&
FIG13B

FIG14A Figure 14A is a layout and exploded view of the hardware needed to install the Offset Plate at construction joints.

FIG15A Figures 15A, 15B, 15C, and 15D are the floor layout, anchoring, and mounting
&
FIG15B details for removable skid bases.
&
FIG15C
&
FIG15D

SECTION 2: LAYOUT INFORMATION

INTRODUCTION

The accompanying job prints will be used to locate and install the chairs in this building. These prints show the spacing and length of each row. The two (2) lines shown per row are the back of the back (small arc) and the seat mounting slot center line (chair size line). See FIG.1 for more details.

Upon receipt of materials, please utilize the shipping schedule to verify that all listed components are on site. The earlier any discrepancies are detected, the greater the possibility they can be corrected without affecting the installation schedule.

2-1 DETERMINING LOCATIONS FOR ANCHOR DRILLING

2-1-1 Floor Mount Layout:

If installation has pre-defined aisle locations, omit Procedures e, f, g, h.

- a. Locate seating area center line and mark on floor.
- b. Locate and mark first-row chair size line on seating area center line.
- c. Repeat chair size line marking from front to rear at required spacing. If it is a radiused installation, the Row Spacing Dimension will have to be added to the first row radius to calculate the radius for each successive row. This is necessary to maintain concentric arcs with consistent spacing between rows.

NOTE: If last row is defined by a wall or railing or other obstruction, reverse above procedure and work from rear to front.

- d. Mark the chair size line in each direction from the seating center line for each row. (See SECTION 2-1-3 and 2-1-4 for perpendicular line and radius layout procedure).
- e. In the center section, mark the lengths of the first and last rows on the chair size lines.
- f. Connect these two points from front to rear, the resulting line represents one side of the aisle.
 - 1. Assumes row ends align. Review specific application requirements.
- g. Mark the widths of aisles at front and rear and connect these points.
- h. Repeat until all sections and aisles are marked.
- i. Locate and mark standard center lines in each direction from the seating area center line. (See SECTION 2-1-5 for spacing layout information). The end standard center lines will be approximately 2" from the aisle line, depending on accessories. This will be taken up by the width of the armrest (or accessory) after installation. Reference seating plan for details.

NOTE: To produce straight aisles, maintain even row ends.

- j. Repeat for each row until all standards are located.
- k. Make hole locations templates (See FIG7A and FIG7B), place over standard center line and mark hole locations.
- l. Check for proper chair placement and hole layout before drilling.
- m. Drill holes - see SECTION 3 and accompanying job prints for anchor information.
- n. Clean holes and set anchors per manufacturer's specifications.

2-1-2 Riser Mount Layout:

If installation has aisle steps, begin at Procedure g. If installation has no aisle steps, proceed as follows:

- a. Locate seating area center line and mark on floor.
- b. Mark the chair size line on the floor parallel to riser face in each direction from the seating center line for each row. Refer to job plans for the chair size line to riser face dimension.

- c. In the center section, mark the lengths of the first and last rows on the chair size lines.
- d. Connect these points from front to rear, this locates one side of the aisle.
 - 1. Assumes row ends align. Review specific application requirements.
- e. Mark the widths of aisles at front and rear and connect these points.
- f. Repeat until all sections and aisles are marked.
- g. Locate and mark standard center lines in each direction from the seating area center line. (See SECTION 2-1-5 for spacing layout information). The end standard center lines will be approximately 2" from the aisle line, depending on accessories. This will be taken up by the width of the armrest (or accessory) after installation. Reference seating plan for details.

NOTE: To produce straight aisles, maintain even row ends.

- h. Repeat for each row until all standards are located.
- i. Make transfer gauge (See FIG8), place over floor center line and transfer standard center line mark to riser face.

NOTE: On straight rows, the transferred width will be the same, on concave curves and spanned angles, the distance will be larger and on convex curves, the distance will be smaller.

NOTE: On straight rows with no spanned angles, mark standard center lines directly on riser face. On straight rows with spanned angles, standard center line marks can be transferred with a carpenter's square.

- j. Mark hole locations on riser face as shown on job plans.
- k. Check for proper chair placement and hole layout before drilling.
- l. Drill holes - see SECTION 3 and accompanying job prints for anchor information.
- m. Clean holes and set anchors per manufacturer's specifications.

2-1-3 Perpendicular Line Layout for Straight Row Chairs: (See FIGURE 11)

- a. Start at the first row chair size line mark on seating area center line and strike a 4'- 0" arc on the floor at approximately right angles on both sides.

- b. Measure 3'-0" back from first radius point and mark new radius point.
- c. Strike a 5'-0" arc from the new center point, intersecting previously marked 4'-0" arc.
- d. Mark a straight line through row mark and intersecting arc marks to form a line perpendicular to seating area center line.
- e. If longer arcs for greater accuracy are desired, multiply each of the above figures by the same number and substitute.

REF.: 3'-0", 4'-0", 5'-0" multiplied by 3 would give 9'-0", 12'-0", and 15'-0".

2-1-4 Radius Line Layout for Curved Row Chairs: (See FIGURE 11)

- f. Mark at 1'-0" intervals along straight perpendicular line created by steps a through e.
- g. At the above intervals, measure down at right angles the required distance as shown on drop chart and mark.
- h. Bend a flexible board or metal strip to touch each of the drop points and mark resulting arc.
- i. Drop chart radii are in increments of 1'-0". Reference drop chart, provided under separate cover. If other radii are required, measure appropriate distance either side and strike new arc.

2-1-5 Chair Spacing Layout Procedure: (See FIG 6 for example)

TWO CONDITIONS AFFECT THE PLACEMENT OF CHAIRS BETWEEN AISLES.

- a. There is an even quantity of chairs in the row.
- b. There is an odd quantity of chairs in the row.

There are three rules for Condition a.

- 1. All chairs are the same size = Position standard center line on row center line.
- 2. Two sizes of chairs of even quantity each = Position standard center line on row center line.
- 3. Two sizes of chairs of odd quantity each = Position standard center line 1/2" from center line of row towards

the side where largest quantity of small chairs are located.

There are two rules for Condition b.

1. All chairs are the same size = Chair straddles center line of row.
2. Two sizes of chairs with an odd and even quantity = Chair with odd quantity straddles center line of row.

SECTION 3: ANCHORING

3-1 RISER MOUNT STANCHION ATTACHMENT TO CONCRETE RISER

3-1-1 Required Hardware:

Cast Iron Stanchions - See FIG2B & FIG2D
Steel Stanchions – See FIG 3B

3-1-2 Required Concrete Specifications:

- a. Minimum concrete compressive strength:
 - Normal weight stone aggregate - 3000 PSI
 - Light weight aggregate - 5000 PSI
- b. Minimum concrete thickness (riser section):
 - 4 1/2" min. thickness with the first 3", along the face, clear of any obstructions (meshing, reinforcing bar, etc.).

3-1-3 Anchor Installation Instructions:

- a. Drill 7/16" diameter hole using masonry drill which meets ANSI B94.12-1977 to a full depth of 3". See Figure 10.
- b. Clean hole to remove concrete particles and dust by blowing the hole using compressed air, then brushing the hole using a wire brush, then blowing the hole a second time using compressed air. **PROPER BRUSHING AND BLOWING OF THE HOLES IS CRITICAL TO PERFORMANCE OF THE ANCHORS.**
- c. Dispense adhesive into hole per manufacturers instructions and Hussey Seating Company's Adhesive Anchor Installation Procedure.
- d. Insert the threaded rods into the holes to proper embedment depth using a twisting motion to eliminate air pockets and coat entire rod.
- e. Allow adhesive to cure 24 hours before installing chairs.

- f. Install stanchions. Add heavy stanchion washer, lock washer and nut onto anchor.
- g. After the chair is assembled (see Section 4 for Chair Assembly Procedure), tighten nuts to a torque of 13-18 ft-lbs. Excessive torque on the bolts will cause bond failure of the adhesive. (Impact wrenches can be used to install and tighten nuts, but care must be taken not to over-torque the nuts.)

3-2 FLOOR MOUNT STANCHION ATTACHMENT TO CONCRETE FLOORS

3-2-1 Required Hardware:

Cast Iron Stanchions - See FIG2A & FIG 2C
Steel Stanchions – See FIG 3A

3-2-2 Required Concrete specifications:

- a. Minimum concrete compressive strength:
 - Normal weight stone aggregate - 3000 PSI
 - Light weight aggregate - 5000 PSI
- b. Minimum concrete thickness (tread section):
 - 4" min. thickness with the top 2" clear of any obstructions (meshing, reinforcing bar, etc.).

3-2-3 Anchor Installation Instructions:

- a. Drill 1/4" diameter hole using masonry drill which meets ANSI B94.12-1977 to a minimum depth of 2". See Figure 9
- b. Blow the hole clean using compressed air.
- c. Drive anchor into hole using the Hussey setting tool part # 2086735. The tool sets the embedment depth to 2" and leaves 1 1/4" of the anchor exposed.
- d. Install the stanchions (see Section 4 for Chair Assembly Procedure) and set the anchors after chair is assembled by tightening to an installation torque of 8 ft-lbs. **IT IS CRITICAL TO THE PERFORMANCE OF THE FLOOR MOUNT ANCHOR TO APPLY THE APPROPRIATE INSTALLATION TORQUE.**
- e. After the chair is assembled and the anchors are set, snap the top of the anchor off, if necessary, by working the top back and forth with the setting tool until it snaps.

3-3 CAST IRON OR STEEL FLOOR STANCHION ATTACHMENT TO WOOD FLOOR

3-3-1 Required Hardware (Indoor only):

- a. Anchor: 1/4" x 1 1/2" lag screw
Hussey part #: 1005002
- b. Washer: 1/4" I.D. x 5/8" O.D. flat type A, stainless steel
Hussey part #: 1032778

3-3-2 Required Wood Specifications:

- a. Floor thickness must be 1 1/2" minimum.

3-3-3 Anchor Installation Instructions:

- a. Lay out the steel riser and mark all fastener locations (See Section 2).
- b. Drill 3/16" diameter anchoring holes to a 1 1/4" minimum depth.
- c. Align stanchion with the drilled anchor holes.
- d. Place the washer onto the lag screw. Insert the lag screw through the stanchion foot and into the drilled anchor hole. Secure stanchion with lag screws at four (4) places.

3-4 CAST IRON OR STEEL STANCHION ATTACHMENT TO STEEL FLOOR

3-4-1 Required Hardware:

- a. Anchor: 1/4" - 20 x 1 1/4" Taptite hex head self threading bolts
Hussey part # Not Yet Assigned (zinc plated, for indoor).
Hussey part # 1026090 (JS500, for outdoor).
- b. Washer: 1/4" I.D. x 5/8" O.D. flat type A, stainless steel
Hussey part #: 1032778
- c. Lock Washer: 1/4" split lock washer.
Hussey part #: 1042330 (zinc plated, for indoor).
Hussey part #: 1005235 (stainless steel, for outdoor).

3-4-2 Required Steel Specifications:

- a. Steel floor thickness to be 1/4" minimum to 3/8" maximum.
- b. Steel riser grade to be A36 or higher.

3-4-3 Anchor Installation Instructions:

- a. Lay out the steel floor and mark all fastener locations (See Section 2).
- b. Center punch fastener locations and pilot drill holes using a 3/16" diameter drill bit.
- c. Finish-drill holes for the Taptite fasteners to recommended hole diameter of 0.228" (drill size #1).
- d. Assemble flat washer and lock washer onto Taptite fasteners. Position stanchions on the steel floor with attachment slots/holes in alignment with drilled holes in floor. Using ratchet or impact driver, insert lead threads of Taptite bolt into drilled hole. Hold constant pressure on fastener and tighten. After chair assembly is complete, tighten fastener to the specified torque of 10-12 ft-lbs torque.

3-5 CAST IRON OR STEEL STANCHION ATTACHMENT TO STEEL RISER.

3-5-1 Required Hardware:

- a. Anchor: 3/8" - 16 x 1 1/2" Taptite Hex head self threading bolts
Hussey part #: 1003089 (zinc plated, for indoor).
Hussey part #: 1040645 (JS500, for outdoor).
- c. Washer: 13/32" I.D. x 1 1/8" O.D. x 0.16 thick, flat, galvanized.
Hussey part #: 1033680.
- b. Lock Washer: 1 1/8" O.D. split lock washer, zinc plated.
Hussey part #: 1000781 (zinc plated, for indoor).
Hussey part #: 1016920 (stainless steel, for outdoor)

3-5-2 Required Steel Specifications:

- a. Steel riser thickness to be 1/4" minimum to 3/8" maximum.
- b. Steel riser grade to be A36 or higher.

3-5-3 Anchor Installation Instructions:

- a. Lay out the steel riser and mark all fastener locations (See Section 2).
- b. Center punch fastener locations and pilot drill holes using a 3/16" dia. drill bit.
- c. Finish-drill holes for the Taptite fasteners to recommended hole diameter of 11/32" (0.344).
- b. Assemble flats washer and lock washers onto Taptite fasteners. Position stanchions against steel riser with attachment slots/holes in alignment with drilled holes in riser. Using ratchet or impact driver, insert lead threads of Taptite bolt into drilled hole. Hold constant pressure on fastener and tighten. After chair assembly is complete, tighten fastener to the specified torque of 35-40 ft-lbs.

3-6 ANCHOR TESTING

3-6-1 Anchor Procedure and Frequency:

Hussey Seating Company recommends that installers test at least 2% of the anchors installed in a random manner to verify that required anchor loads are met. Refer to the Hussey Seating Company Anchor Test Manual for the recommended test procedure and specified anchor load requirements.

3-7 ANCHOR INSTALLATION ASSISTANCE

3-7-1 Anchor Product & Installation Procedure Inquiries:

Questions regarding standard anchor products can be directed to Hussey Seating Company at 1-800-341-0401.

3-7-2 ETO Anchor Product Offerings:

Engineered-to-order anchor product options are available from Hussey Seating Co. in cases where standard anchors do not meet the project requirements or when an alternative anchor provides benefits without a reduction in ultimate anchor loads. Contact Hussey Seating Company at 1-800-341-0401 to review ETO options.

SECTION 4: CHAIR ASSEMBLY

4-1 ASSEMBLY OF FLOOR MOUNT AND RISER MOUNT CHAIRS

4-1-1 Assembly of Floor Mount Chairs:

- a. Place standards over anchor bolts and attach loosely with nuts and washers.
- b. Attach backs loosely to standard with 1/4" bolts and flange nuts.
- c. Attach seats loosely to standards with 5/16" cap screws and flange nuts.
- d. Align all parts in each row and securely tighten hardware.
Recommended back bolt torque is 20-25 inch-lbs (approximately 2 ft-lbs). Recommended seat bolt torque is 13-18 ft-lbs.

NOTE: If adequate care is taken, parts can be securely tightened as they are positioned in place.

CAUTION: Tighten back bolts sufficient to deform plastic under head approximately 1/16". When open faced nuts are used, do not allow end of screw to project more than 1/8". DO NOT OVER TIGHTEN.

- e. Check seat spring lift action and if sluggish loosen seat mounting hardware and adjust hinge bracket (see FIG4) to eliminate binding.
- f. Remove excess anchor bolt protrusion.
- g. Attach seat number and row letter plates.
- h. Touch up paint and clean as required.

4-1-2 Assembly of Riser Mount Chairs:

- a. Position standards over anchor studs and finger tighten nuts.
- b. Attach backs loosely to standards with 1/4" step bolts and flange nuts.
- c. Attach seats loosely to standards with 5/16" cap screws and flange nuts.
- d. Align all parts in each row and securely tighten hardware.
Recommended back bolt torque is 20-25 inch-lbs (approximately 2 ft-lbs). Recommended seat bolt torque is 13-18 ft-lbs.

NOTE: If adequate care is taken, parts can be securely tightened as they are positioned in place.

CAUTION: Tighten back bolts sufficient to deform plastic under head approximately 1/16". When open faced nuts are used, do not allow end of screw to project more than 1/32". DO NOT OVER TIGHTEN.

- e. Check seat spring lift action and if sluggish loosen seat mounting hardware and adjust hinge bracket (see FIG4) to eliminate binding.
- f. Attach seat number and row letter plates.
- g. Touch up paint and clean as required.

SECTION 5: CHAIR MAINTENANCE

5-1 INSPECTING AND MAINTAINING INSTALLED CHAIRS

5-1-1 Safety Inspection:

- a. Since it is possible that chair parts may loosen with time and usage, Hussey Seating Co. recommends that the following components be checked every six months:
 - 1. Wing bolts (connection between chair back and Stanchion).
 - 2. Seat mounting bolts (connection between seat and Stanchion).
 - 3. Floor anchors (connection between Stanchion and floor).

NOTE: All replacement hardware should be equal (in size and quality) to original hardware. Hussey Seating company will not be held liable for use of improper hardware. Please contact the factory for additional information or conditions not covered by this manual.

5-1-2 Inspection Methods:

- a. The easiest and quickest method of inspection for loose connections is achieved as follows:
 - 1. Chair Backs: Try to move chair back from side to side and front to back. Note any loose connections and tighten accordingly.
 - 2. Seats: Actuate seat up and down and also try to move from side to side. Note any loose connections and tighten accordingly.

3. Stanchions: Grasp the chair armrest and try to move from side to side. Note any loose connections and tighten accordingly.

5-1-3 Plastic:

- a. Polyethylene shells can be cleaned with commercially available cleaning compounds specifically made for use on polyethylene. Hussey Seating Co. uses "Oakite Speedet" with 50% water added.

5-1-4 Fabric:

- a. Clean 100% nylon fabrics with standard upholstery/fabric cleaners specified for use on nylon fabrics. Follow cleaner manufacturer's recommended procedures.
- b. Hussey Seating Co. uses "Texize K2R Spot Remover." Use per manufacturer's directions in a hidden area to determine effects for your type of fabric.

5-1-5 Lubrication:

- a. All chairs, tablet arms, etc., have been pre-lubricated at the factory and should not require any further lubrications for the life expectancy of the product.

5-1-6 Powder Coat:

- a. Touch up original manufacturer's finish coating with an approved touch up paint in accordance with Hussey Seating Company's Powder Coat Touch-Up Procedure whenever damage has occurred during shipment or installation. Color to match the original manufacturer's color.
- b. Refer to job plans for possible special finish.

5-1-7 Building Code:

Facility owners are responsible for insuring the seating system conforms to applicable building codes, including the American's with Disabilities Act (A.D.A.). Alteration of a seating system must be done in compliance with code. The local governing code official will provide official interpretation to ensure compliance. Hussey Seating Company can provide assistance by providing code interpretation, but it is the local code official that will address local codes, as well as national codes.

5-1-8 Cleaning Procedure:

Specified Cleaning Procedure: All cast-iron and plastic components should be cleaned within a maximum of one (1) month from the facilities latest use. Components that are

not cleaned one month from use may stain permanently. Cast-iron and plastic components should be cleaned with BULK SOL NO. 31 mixed at a three (3) percent concentration with water. The cleaning solution temperature must be between 100°-125° F. High pressure washers may be used to clean these components, but the nozzle pressure must not exceed 1200 PSI². The nozzle of the washer must not be placed closer than five (5) feet from the component. After cleaning with BULK SOL NO. 3, the components must be rinsed with tap water at ambient temperature. The rinse process must not exceed 1200 PSI and be applied no closer than five (5) feet from the components.

SECTION 6: ACCESSORIES

6-1 TABLET ARMS

6-1-1 Installation:

- a. To provide clearance for folding of the tablet arm, the seat is reduced one size less than the stated chair size (i.e. a 21" Olympiad chair with tablet arm uses 20" seat plastic.)

6-2 AISLE LIGHTS & TRANSFORMER

6-2-1 Aisle Light Installation:

- a. Unless otherwise specified, aisle lights modules are shipped from the factory assembled and attached to the end stanchion, complete and ready for final connection, by approved on-site electrician.
- b. Reference seating plans, included with the job drawings, for the aisle light locations. Layout and attach the stanchion assembly per standard installation procedures.

6-2-2 Transformer Installation (see FIG.13A & FIG.13B)

- a. A transformer is required, for twenty-four volt (24V) aisle light systems. The transformer, provided by Hussey Seating Company, is wired between the facility electrical line and the aisle light system, by the electrician.

6-3 OFFSET PLATE

6-3-1 Offset Plate Installation:

¹ **BULK SOL NO. 3** is a product of Bulk Chemicals incorporated.

² Pressures exceeding 1200 PSI may remove the coatings from the component.

- a. The offset plate is used to attach riser mount stanchions at construction joints. Attach the offset plate to the stanchion before mounting the stanchion. See FIG.14A.
- b. Mount the offset plate and stanchion assembly to the riser so the stanchion anchor bolts are at the correct location.

6-4 REMOVABLE SKIDS (see FIG15A, FIG15B, FIG15C, FIG15D &)

6-4-1 Installation - Concrete Floor:

- a. Place Skid on floor using chair size line to position.
- b. Mark floor to locate skid mounting holes.
- c. Remove skid and drill anchor holes as specified by FIG 15A.
- d. Clean holes thoroughly and install and set drop-in anchors.
- e. Tip the skid on it's side and install stanchions firmly (5 ft-lbs) to skids using hardware specified in FIG15A.
- f. Secure skid to drop in anchors located in the floor.
- g. Assemble seats and backs onto the stanchions.

6-4-2 Installation - Wood Floor:

- a. Place Skid on floor using chair size line to position.
- b. Mark floor to locate skid mounting holes.
- c. Remove skid and center the floor socket with the nut facing up over the skid mounting hole marks.
- d. Mark the outline of the floor socket and the socket mounting holes.
- e. Rout or bore a recess for the floor socket (see FIG15A for outline and drilling instructions).
- f. Clean holes thoroughly and install the floor socket using supplied hardware.
- g. Tip the skid on it's side and install stanchions firmly (5 ft-lbs) to skids. Use 1/4-20 x 1" phillips flat head machine screws inserted from beneath along with any associated hardware as shown in related FIG's.
- h. Secure skid to floor socket using supplied hardware.

- h. Assemble chairs onto skids (See SECTION 4, begin with step b and exclude step f).

6-4-3 Rollaway Skid Units:

When the installation has a requirement for Rollaway Skid Units.

- a. Reference FIG 15E for operation and hardware for the rollaway skid.
- b. Install the stanchions, seats and backs to the rollaway skid using specified hardware.
- c. Locate the rollaway unit next to the adjacent fixed chairs. Mark the floor for attachment.
- d. Install floor attachment hardware.
- e. Roll unit into position and attach to the floor for use.

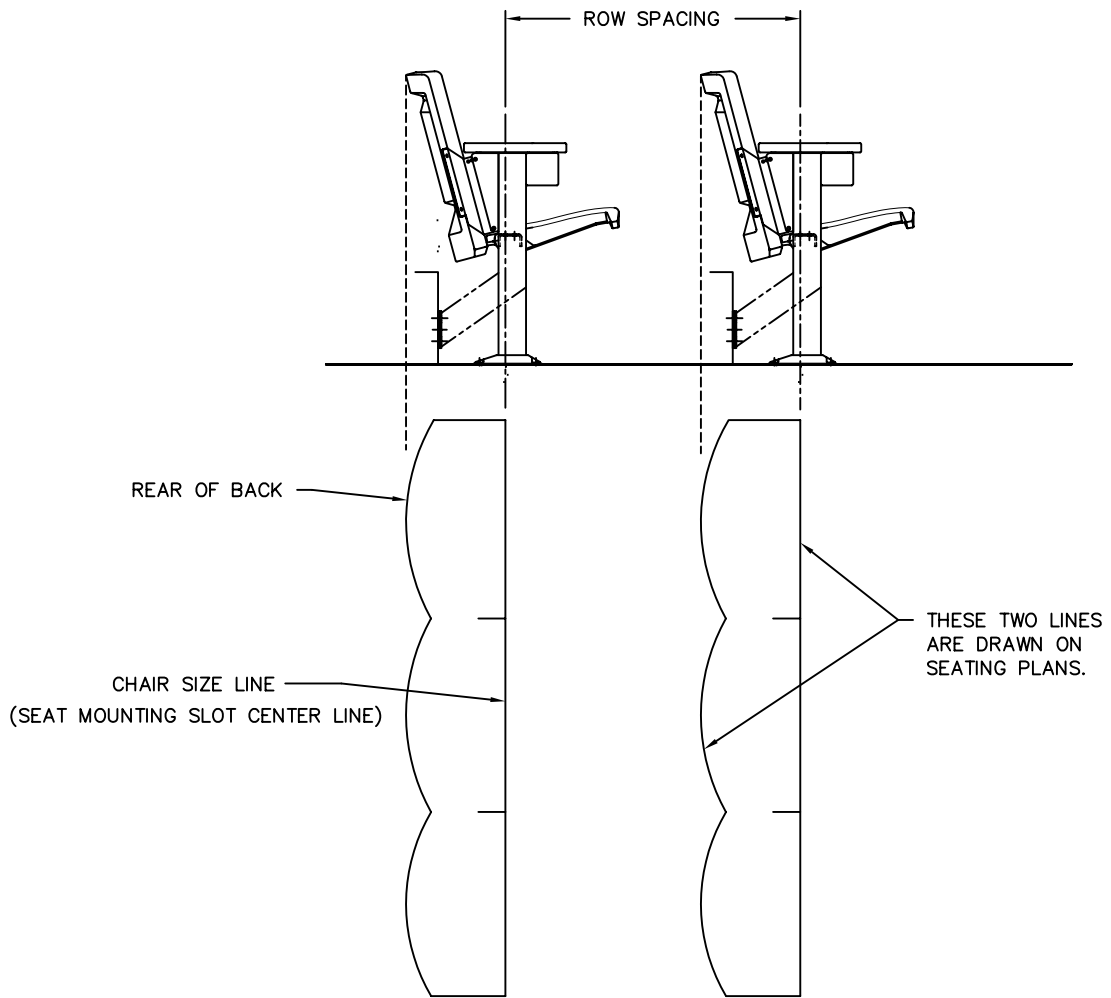
SECTION 7: CUSTOMER ASSISTANCE

7-1 Customer Contact:

For material discrepancies and / or questions regarding installation procedures, please contact:

Customer Service Department
Hussey Seating Company
38 Dyer Street Ext.
North Berwick, ME 03906
Phone: 1-800-341-0401

Early Detection & Correction of potential problems is our best defense against future weaknesses.




NOTE: ROW SPACING IS MEASURED ON THE CHAIR SIZE LINE

FIGURE 1

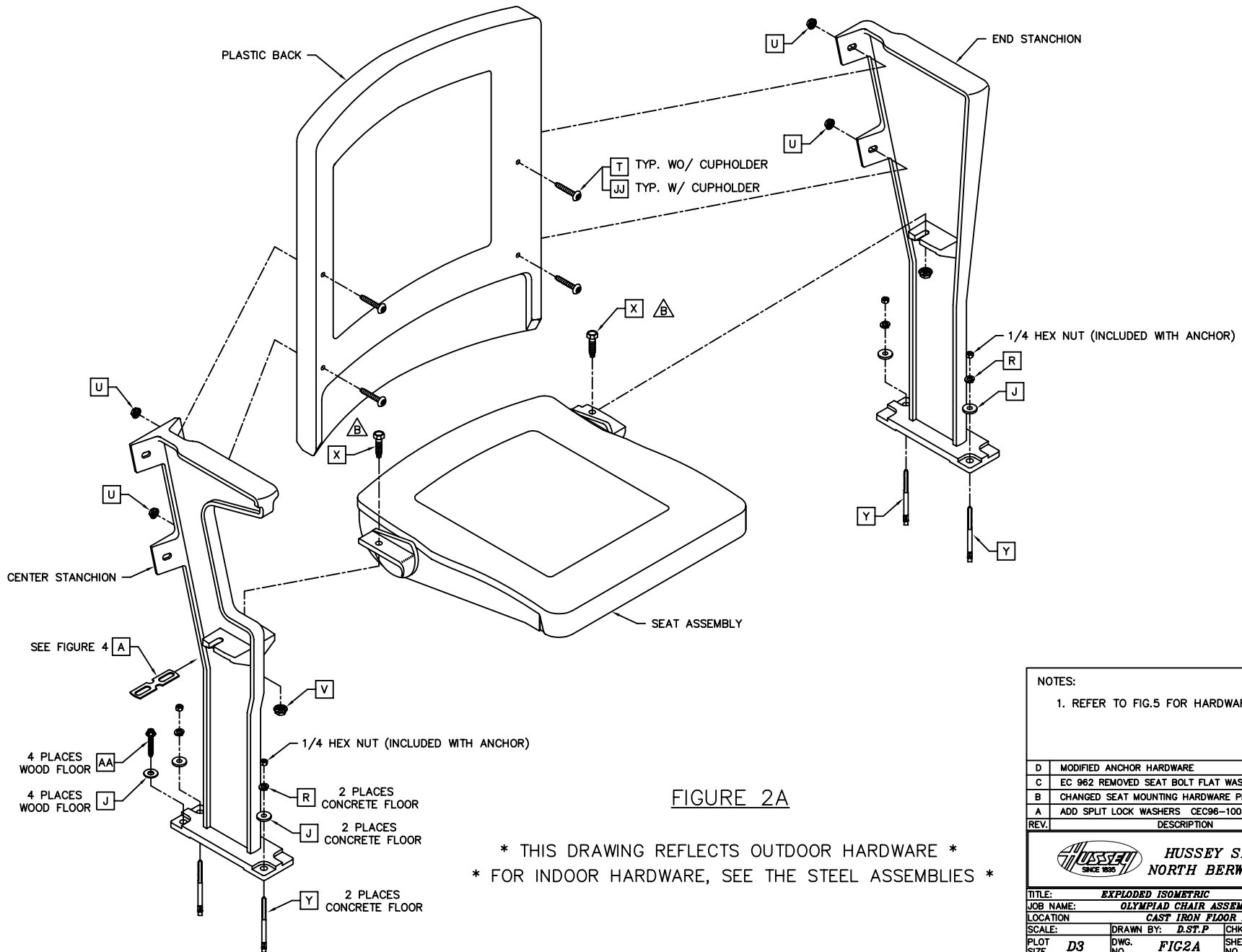
NOTES:

REV.	DESCRIPTION	BY	CHK.	DATE

FINISH:	UNLESS OTHERWISE NOTED DIMENSIONAL TOLERANCES			
	FRACTIONS	DECIMALS	ANGLES	
	±1/32	±.02	±.005	±1°


HUSSEY SEATING COMPANY
 NORTH BERWICK, MAINE 03906

TITLE:	CHAIR LAYOUT LINES		DATE:	9/24/96
JOB NAME:				
LOCATION:				
SCALE:	DRAWN BY: J.DAVIS	CHK BY: E.BAILEY	APP BY:	
PLOT SIZE: D7	DWG. NO. FIG1	SHEET NO. 1 OF 1	JOB NO.	



NOTES:
1. REFER TO FIG.5 FOR HARDWARE DETAIL.

D	MODIFIED ANCHOR HARDWARE	P.D.		1/20/04
C	EC 982 REMOVED SEAT BOLT FLAT WASHER	P.D.		6/2/03
B	CHANGED SEAT MOUNTING HARDWARE PER EC00-062	D.St.P	E.B.	5/12/00
A	ADD SPLIT LOCK WASHERS CEC96-100	J.D.	R.L.	1/29/97
REV.	DESCRIPTION	BY	CHK.	DATE

HUSSEY SEATING COMPANY
NORTH BERWICK, MAINE 03906

TITLE: **EXPLODED ISOMETRIC** DATE: 8/26/96
 JOB NAME: **OLYMPIAD CHAIR ASSEMBLY**
 LOCATION: **CAST IRON FLOOR MOUNT STANCHIONS**
 SCALE: DRAWN BY: **D.ST.P** CHK BY: **J.DAVIS** APP BY:
 PLOT SIZE: **D3** DWG. NO.: **FIG2A** SHEET NO.: **1 OF 1** JOB NO.:

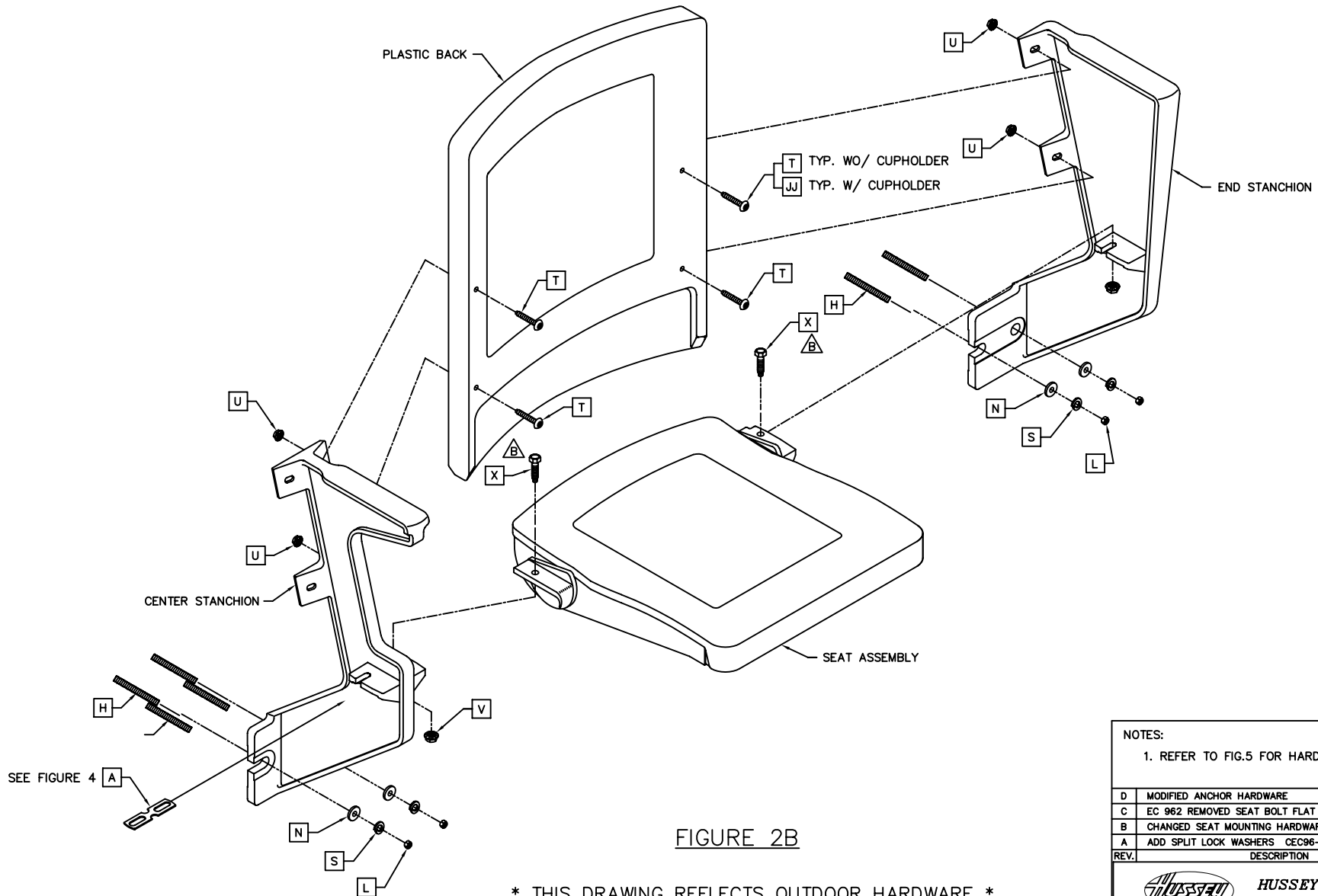


FIGURE 2B

* THIS DRAWING REFLECTS OUTDOOR HARDWARE *
 * FOR INDOOR HARDWARE, SEE THE STEEL ASSEMBLIES *

NOTES:
 1. REFER TO FIG.5 FOR HARDWARE DETAIL.

D	MODIFIED ANCHOR HARDWARE	P.D.	1/20/04
C	EC 962 REMOVED SEAT BOLT FLAT WASHER	P.D.	6/2/03
B	CHANGED SEAT MOUNTING HARDWARE PER EC00-062	D.ST.P.	E.B. 5/12/00
A	ADD SPLIT LOCK WASHERS CEC96-100	J.D.	R.L. 1/29/97
REV.	DESCRIPTION	BY	CHK. DATE

HUSSEY SEATING COMPANY
 NORTH BERWICK, MAINE 03906

TITLE:	EXPLODED ISOMETRIC	DATE:	8/1/96
JOB NAME:	OLYMPIAD CHAIR ASSEMBLY		
LOCATION:	CAST IRON RISER MOUNT STANCHIONS		
SCALE:	DRAWN BY: D.ST.P.	CHK BY: J.DAVIS	APP BY:
PLOT SIZE:	D3	DWG. NO. FIG2B	SHEET NO. 1 OF 1
			JOB NO.

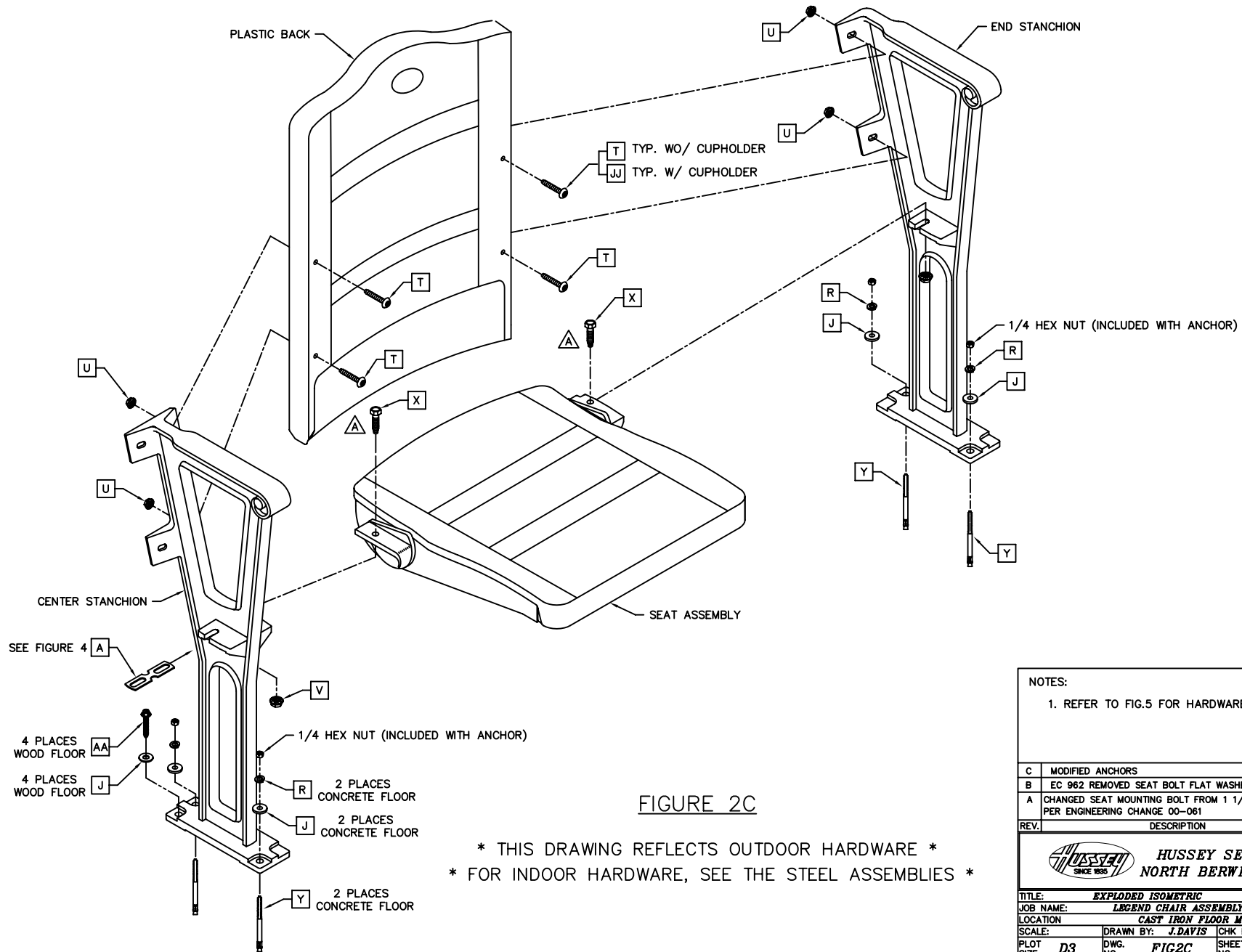



FIGURE 2C

* THIS DRAWING REFLECTS OUTDOOR HARDWARE *
 * FOR INDOOR HARDWARE, SEE THE STEEL ASSEMBLIES *

NOTES:
 1. REFER TO FIG.5 FOR HARDWARE DETAIL.

REV.	DESCRIPTION	BY	CHK.	DATE
C	MODIFIED ANCHORS		P.D.	1/20/04
B	EC 962 REMOVED SEAT BOLT FLAT WASHER		P.D.	6/2/03
A	CHANGED SEAT MOUNTING BOLT FROM 1 1/4" TO 1 1/2" D.ST.P PER ENGINEERING CHANGE 00-061		E.B.	4/27/00

 HUSSEY SEATING COMPANY NORTH BERWICK, MAINE 03906			
TITLE:	EXPLODED ISOMETRIC	DATE:	1/29/97
JOB NAME:	LEGEND CHAIR ASSEMBLY		
LOCATION:	CAST IRON FLOOR MOUNT STANCHIONS		
SCALE:	DRAWN BY: J.DAVIS	CHK BY: D.ST.P	APP BY:
PLOT SIZE: D3	DWG. NO. FIG2C	SHEET NO. 1 OF 1	JOB NO.

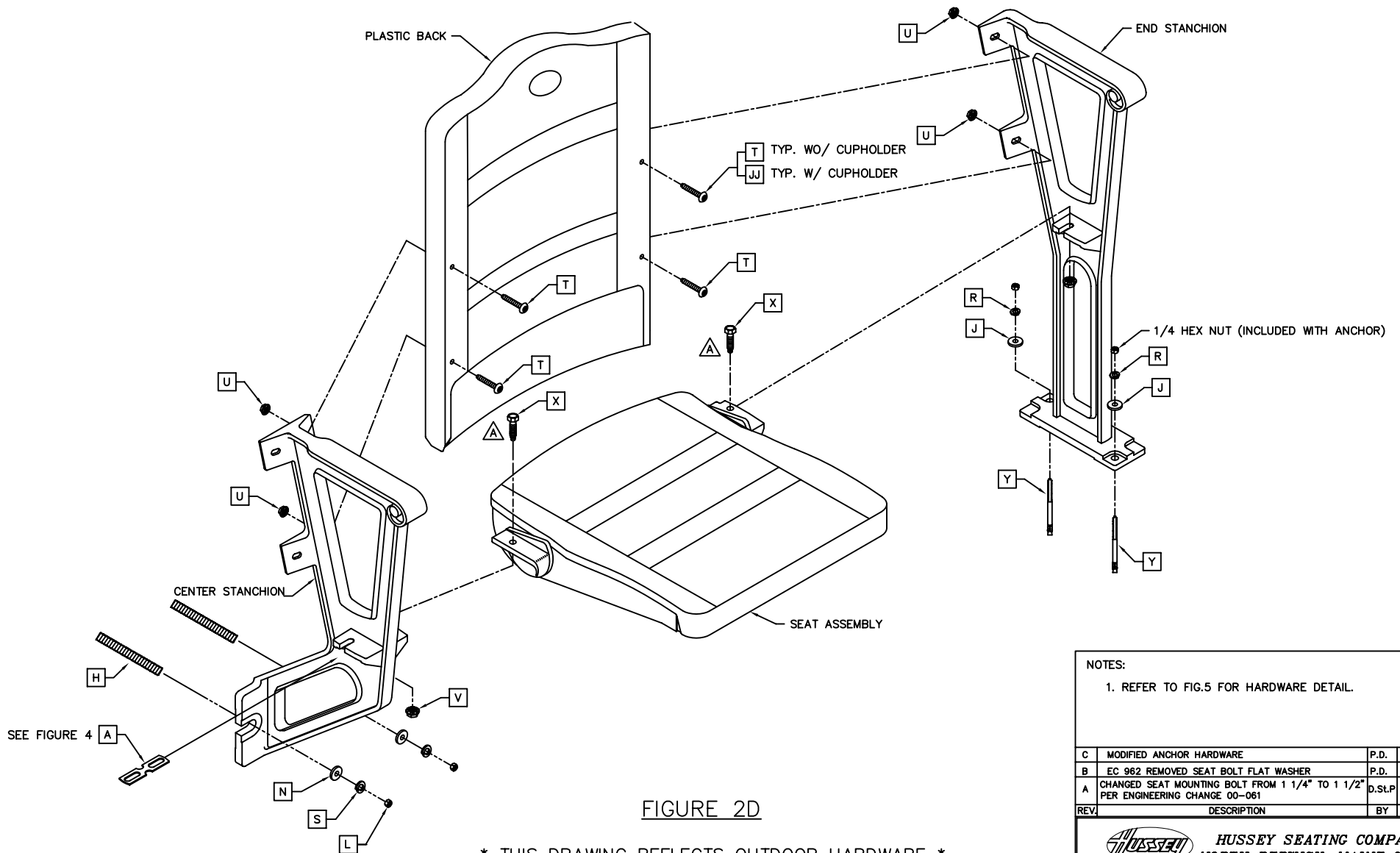


FIGURE 2D

* THIS DRAWING REFLECTS OUTDOOR HARDWARE *
 * FOR INDOOR HARDWARE, SEE THE STEEL ASSEMBLIES *

NOTES:

1. REFER TO FIG.5 FOR HARDWARE DETAIL.

C	MODIFIED ANCHOR HARDWARE	P.D.		1/20/04
B	EC 962 REMOVED SEAT BOLT FLAT WASHER	P.D.		6/2/03
A	CHANGED SEAT MOUNTING BOLT FROM 1 1/4" TO 1 1/2" PER ENGINEERING CHANGE 00-061	D.St.P	E.B.	4/27/00
REV.	DESCRIPTION	BY	CHK.	DATE



HUSSEY SEATING COMPANY
 NORTH BERWICK, MAINE 03906

TITLE: EXPLODED ISOMETRIC - LEGEND CHAIR ASSEMBLY		DATE: 1/29/97	
JOB NAME: CAST IRON RISER MOUNT INTERMEDIATES AND FLOOR MOUNT END STANCHIONS			
SCALE:	DRAWN BY: J.DAVIS	CHK BY: D.ST.P	APP BY:
PLOT SIZE: D3	DWG. NO. FIG2D	SHEET NO. 1 OF 1	JOB NO.

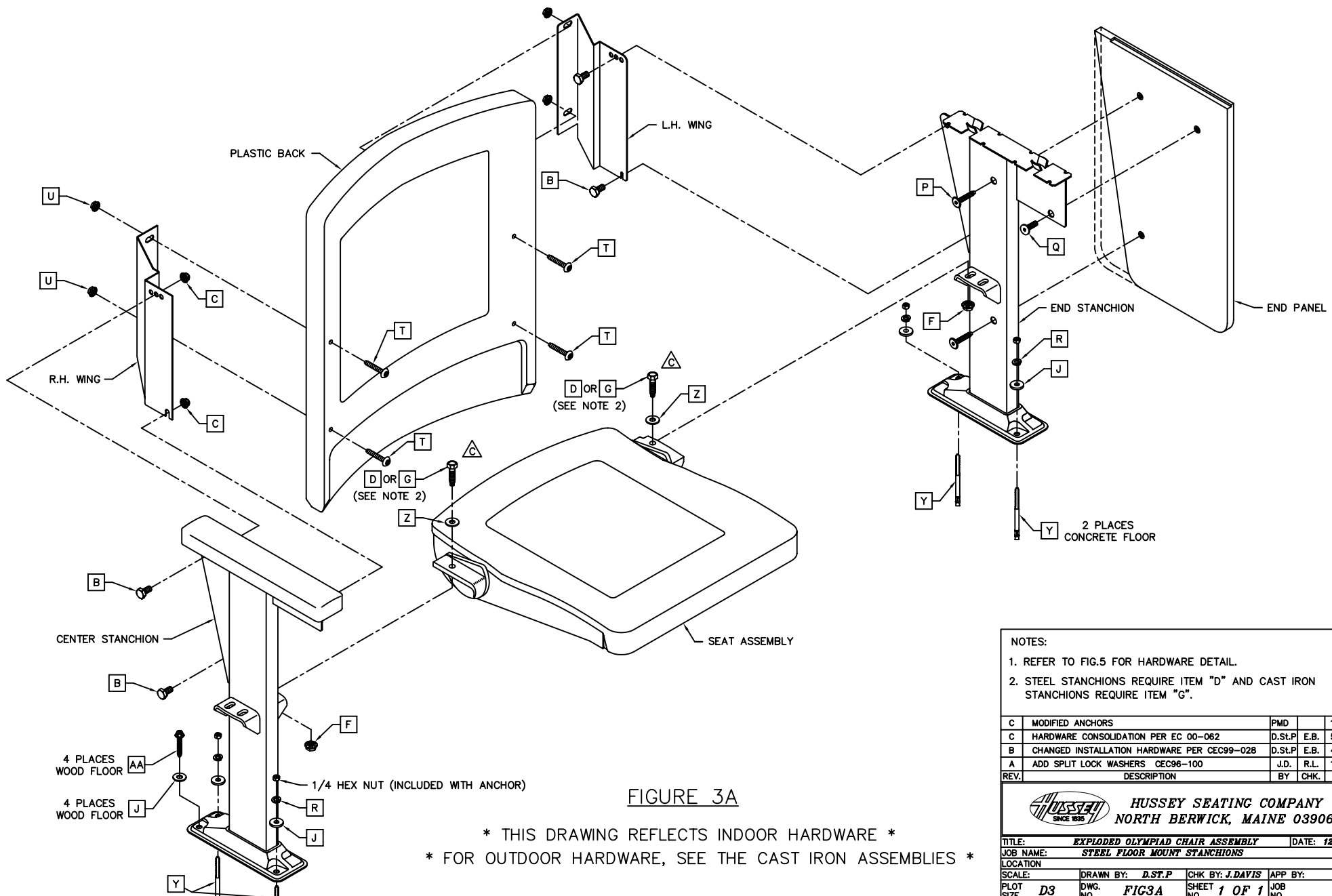


FIGURE 3A

* THIS DRAWING REFLECTS INDOOR HARDWARE *
 * FOR OUTDOOR HARDWARE, SEE THE CAST IRON ASSEMBLIES *

NOTES:
 1. REFER TO FIG.5 FOR HARDWARE DETAIL.
 2. STEEL STANCHIONS REQUIRE ITEM "D" AND CAST IRON STANCHIONS REQUIRE ITEM "G".

C	MODIFIED ANCHORS	PMD		1/20/03
C	HARDWARE CONSOLIDATION PER EC 00-062	D.St.P	E.B.	5/12/00
B	CHANGED INSTALLATION HARDWARE PER CEC99-028	D.St.P	E.B.	4/27/99
A	ADD SPLIT LOCK WASHERS CEC96-100	J.D.	R.L.	1/22/97
REV.	DESCRIPTION	BY	CHK.	DATE

HUSSEY SEATING COMPANY
 NORTH BERWICK, MAINE 03906

EXPLODED OLYMPIAD CHAIR ASSEMBLY DATE: 12/9/96
STEEL FLOOR MOUNT STANCHIONS

JOB NAME: LOCATION: SCALE: DRAWN BY: *D.ST.P* CHK BY: *J.DAVIS* APP BY:
 PLOT SIZE: *D3* DWG. NO. *FIG3A* SHEET NO. *1 OF 1* JOB NO.

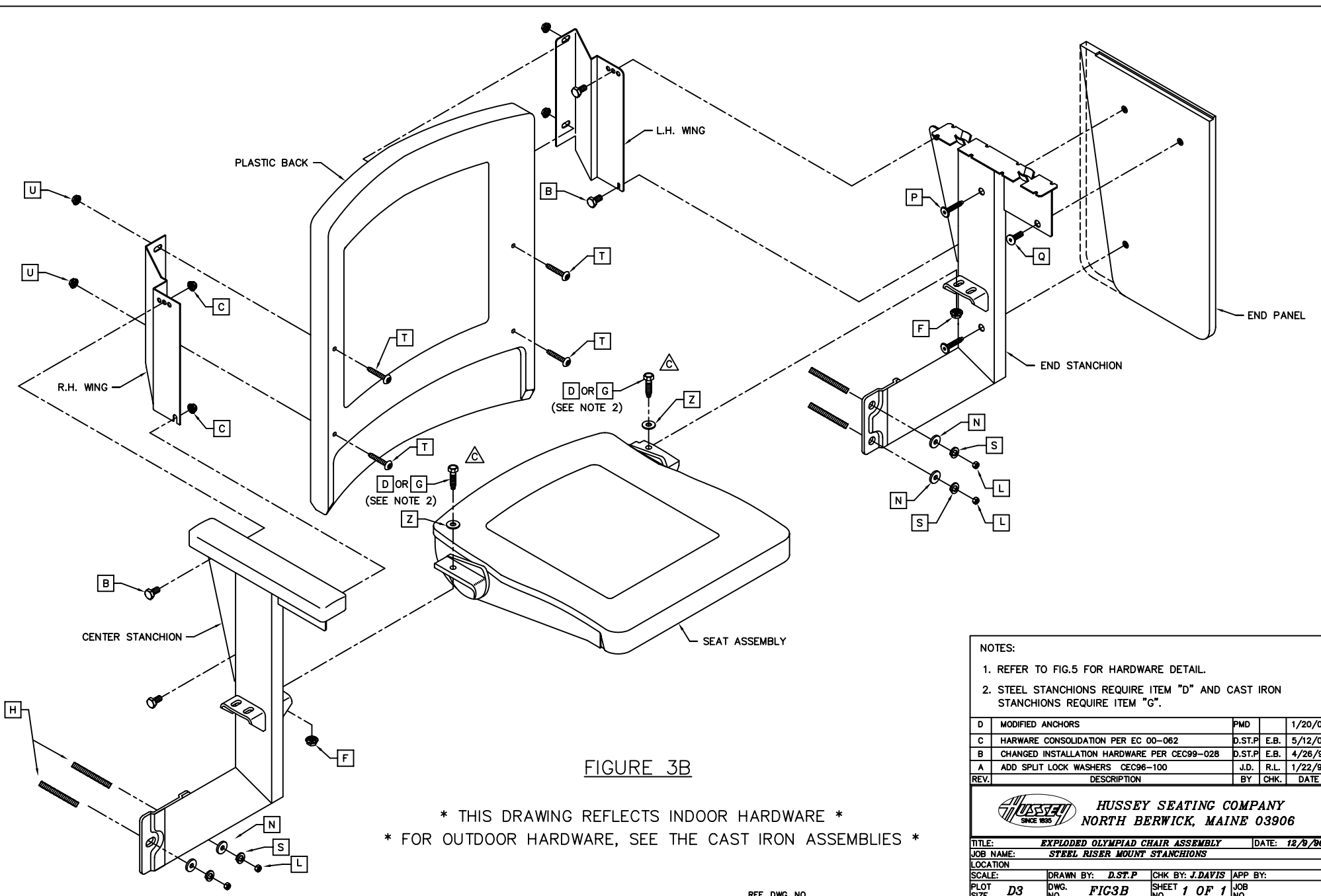


FIGURE 3B

* THIS DRAWING REFLECTS INDOOR HARDWARE *
 * FOR OUTDOOR HARDWARE, SEE THE CAST IRON ASSEMBLIES *

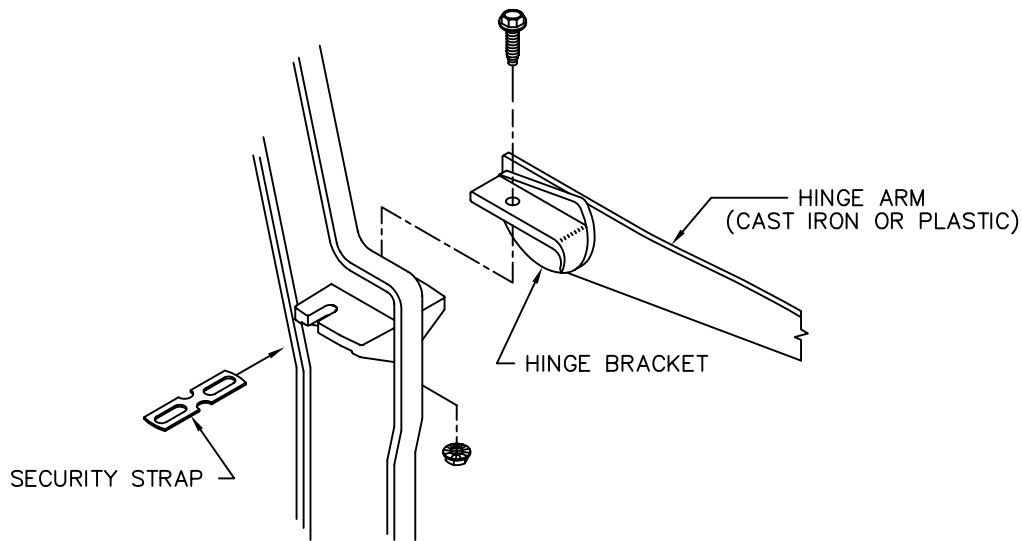
NOTES:

- REFER TO FIG.5 FOR HARDWARE DETAIL.
- STEEL STANCHIONS REQUIRE ITEM "D" AND CAST IRON STANCHIONS REQUIRE ITEM "G".

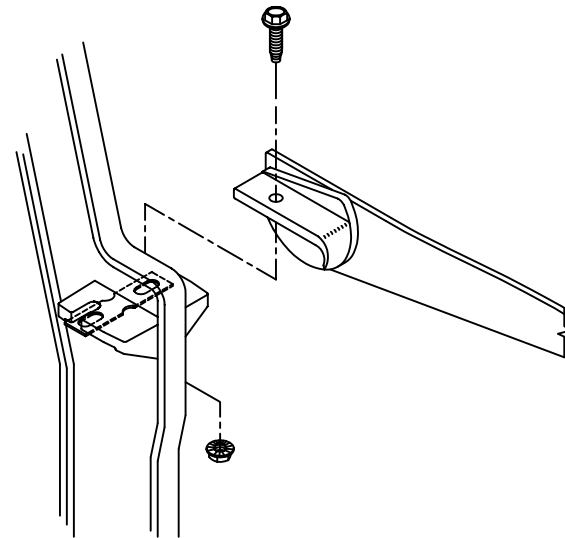
D	MODIFIED ANCHORS	PMD		1/20/04
C	HARWARE CONSOLIDATION PER EC 00-062	D.ST.P	E.B.	5/12/00
B	CHANGED INSTALLATION HARDWARE PER CEC99-028	D.ST.P	E.B.	4/26/99
A	ADD SPLIT LOCK WASHERS CEC96-100	J.D.	R.L.	1/22/97
REV.	DESCRIPTION	BY	CHK.	DATE

HUSSEY SEATING COMPANY
 NORTH BERWICK, MAINE 03906

TITLE:	EXPLODED OLYMPIAD CHAIR ASSEMBLY	DATE:	12/9/96
JOB NAME:	STEEL RISER MOUNT STANCHIONS		
LOCATION:			
SCALE:	DRAWN BY: D.ST.P	CHK BY: J.DAVIS	APP BY:
PLOT SIZE: D3	DWG. NO. FIG3B	SHEET NO. 1 OF 1	JOB NO.



1. INSERT SECURITY STRAP THRU SLOT BENEATH LANDING BRACKET
2. SECURE USING SEAT ATTACHMENT BOLT AND NUT
3. USED ON INTERMEDIATE STANCHIONS ONLY



SHOWN INSTALLED BENEATH LANDING BRACKET

NOTES:

1. REFER TO FIG.5 FOR HARDWARE DETAIL.

A	EC 962 REMOVED SEAT BOLT FLAT WASHER	P.D.	6/2/03
REV.	DESCRIPTION	BY	CHK. DATE
FINISH:		UNLESS OTHERWISE NOTED DIMENSIONAL TOLERANCES	
		FRACTIONS	DECIMALS
		±1/32	±.02 ±.005
		ANGLES ±1°	

HUSSEY SEATING COMPANY
NORTH BERWICK, MAINE 03906

TITLE: **SECURITY STRAP DETAIL** DATE: **9/28/96**

JOB NAME: _____

LOCATION: _____

SCALE: _____ DRAWN BY: **J.DAVIS** CHK BY: **W.S.** APP BY: _____

PLOT SIZE: **D2** DWG. NO.: **FIG4** SHEET NO.: **1 OF 1** JOB NO.: _____



- A** SECURITY STRAP SS
P/N 1029770
(1) REQD PER INT STN CAST IRON ONLY



- F** 5/16" FLANGED HEX NUT ZP
P/N 1040033
(2) REQD PER SEAT PAN



- L** NUT: 3/8-16 HEX
P/N 2035613 (SS WAXED)
P/N 1000746 (ZP)



- R** 1/4 SPLIT LOCKWASHER SS
P/N 1042330 - OUTDOOR (SS)
P/N 1005235 - INDOOR (ZP)
(2) REQD PER STANCHION



- B** 1/4" x 1 1/2" HEX HEAD MS ZP
P/N 1020158
(2) REQD PER STANCHION



- G** 5/16 x 1 1/2 HEX HEAD MS ZP
P/N 1000664
(2) REQD PER SEAT (CAST IRON STN'S)



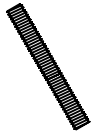
- M** 3/8-16 X 1-1/2" TAPRITE HEX HD SLF THRD
P/N 1040645 (J5500, OUTDOOR)
P/N 1003089 (ZP, INDOOR)
(2) PER RSMT STANCHION (STEEL RISER)



- S** 3/8 SPLIT LOCKWASHER SS
P/N 1016920 - OUTDOOR (SS)
P/N 1000781 - INDOOR (ZP)
(2) REQD PER STANCHION



- C** 1/4" FLANGE ACCORN NUT ZP
P/N 1001774
(2) REQD PER INT STANCHION



- H** 3/8 x 4 1/4 THREADED ROD
P/N 2035581 (SS)
P/N 2035588 (ZP)
(2) REQUIRED PER RSMT STANCHION (CONCRETE RISER)



- N** 1 1/8" O.D. ANCHOR WASHER
P/N 1033680
(2) REQD PER STANCHION



- T** 1/4 x 1 3/4 PTH MS SS
P/N 2088255
(4) REQD PER BACK ASSEMBLY



- D** 5/16 x 1 1/4 HEX HEAD MS ZP
P/N 1005194
(2) REQD PER SEAT (STEEL STN'S)



- J** 1/4 x 5/8 WASHER PL SS
P/N 1032778
2/CON 4/ WOOD FLOOR



- P** 1/4-20 x 1 3/8 HEX CAP SCR
P/N 1039119
(2) REQD PER END PANEL



- E** 5/16 x 1 1/4 HWH SS
P/N 1036815
(REPLACED WITH ITEM "X")



- K** 5/16 x 3/4 WASHER FL SS
P/N 1025010
(2) REQD PER SEAT PAN



- Q** MS- 1/4-20 x 1 1/2 PTH BO GZ
P/N 1008643
(1) REQD PER END PANEL

NOTES:

1. REFER TO JOB PARTS LIST FOR SPECIFIC APPLICATION.

F	REMOVED ALL REFERENCES TO ORACLE: EC-2293	RGV		5/11/08
E	MODIFIED ANCHORS & BACK BOLTS	PMD		1/20/04
D	ADDED ITEM G / HARDWARE CONSOLIDATION EC 00-082.D.S1.P	E.B.		5/12/00
REV	DESCRIPTION	BY	CHK	DATE
UNLESS OTHERWISE NOTED DIMENSIONAL TOLERANCES				
FRACTIONS	DECIMALS	ANGLES		
±1/32	±.001	±1°		

FINISH:

FR	FR	FR	FR
----	----	----	----

HUSSEY SEATING COMPANY
NORTH BERWICK, MAINE 03906

TITLE: *OLYMPIAD HARDWARE LISTING* DATE: 6/30/88
JOB NAME: *OLYMPIAD STANCHIONS*
SCALE: DRAWN BY: *D.S.T.P.* CHK BY: *J.MATIS* APP BY:
SHEET 1 OF 1 NO. 108
FIG 5A



U 1/4"-20 FLANGE NUT SS
P/N 1038034
(4) REQUIRED PER BACK



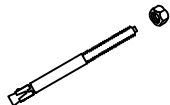
V 5/16" FLANGED HEX NUT LK SS
P/N 1025861
(2) REQ'D PER SEAT



W 1/4-20 X 2 PTH MS LK SS
P/N 1038385
(4) REQ'D PER PAR BACK ASSEMBLY



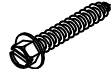
X 5/16 x 1 1/2 HWH SS PLASTISOL
P/N 2084474
(2) REQ'D PER SEAT



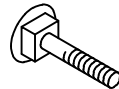
Y 1/4 x 3 1/4 MECHANICAL WEDGE ANCHOR W/NUT
P/N 2117907 (SS)
P/N 2053114 (ZP)
(2) PER FLMT STANCHION (CONCRETE FLOOR)



Z WASHER: 5/16 FL ZP
P/N 1000806
(2) REQ'D PER SEAT



AA SCR 1/4 X 1 3/4 HWH ZP
P/N 1034331
(4) REQ'D WOOD FLOOR



BB CB 3/8-16 x 1 1/2 :GL:G2
P/N 1000709
(2) REQ'D CONSTRUCTION PLATE



CC NUT: 3/8-16 HX :GL
P/N 1000771
(2) REQ'D CONSTRUCTION PLATE



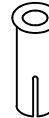
DD 1/4-20 FLANGE NUT SS
P/N 1038034



EE 1/4-20 x 1" PHIL FLAT HEAD ZP
P/N 1032004



GG 3/8-16 x 1 HEX HEAD MS SS
P/N 2089667



HH 3/8-16 DROP-IN EXPANSION NUT
P/N 2054619 SS
P/N 2018947 ZP



JJ 1/4 x 2 PTH MS SS
P/N 1038385
(4) REQ'D PER BACK ASSEMBLY



KK 3/8-16 x 5/8" FLAT HEAD SCREW SS
P/N 2089592



LL 3/8-16 x 5/8 SOCKET HEAD SET SCREW
P/N 1040544



MM 1/4-20 x 1" PHIL FLAT HEAD SS
P/N 2024170



NN 1/4 - 20 X 1 1/4" TAPTITE HEX HD SLF THRD
P/N 1026090 (JS500, OUTDOOR)
P/N NOT YET ASSIGNED (ZP, INDOOR)
(2) PER FLMT STANCHION (STEEL FLOOR)



PP #10 x 1 1/4 FLAT HEAD WOOD SCREW
P/N 1000857

NOTES:

1. REFER TO JOB PARTS LIST FOR SPECIFIC APPLICATION.

L	P/N 2117907 WAS 2054616, P/N 2053114 WAS 2018912, PER EC-2556	IMO	KCL	01/05/11
K	REMOVED ALL REFERENCES TO ORACLE, EC-2293	RGV		5/11/09
J	CORRECTED LENGTH OF TAPTITE, WAS 1" EC-1838	TH	NP	9/28/06
H	MODIFIED PART #1000857 TO PP	P.D.		6/18/04
REV.	DESCRIPTION	BY	CHK.	DATE

FINISH:	UNLESS OTHERWISE NOTED DIMENSIONAL TOLERANCES		
	FRACTIONS	DECIMALS	ANGLES
	±1/32	±.02 ±.005	±1°



HUSSEY SEATING COMPANY
NORTH BERWICK, MAINE 03906

TITLE:	OLYMPIAD HARDWARE LISTING		DATE:	6/30/08
JOB NAME:	OLYMPIAD STANCHIONS			
LOCATION:				
SCALE:	DRAWN BY:	CHK BY:	APP BY:	
PLOT SIZE:	DWG. NO.	SHEET NO.	JOB NO.	
D3	FIG5B	1 OF 1		

SPACING LAYOUT USING CENTER LINE BETWEEN AISLES

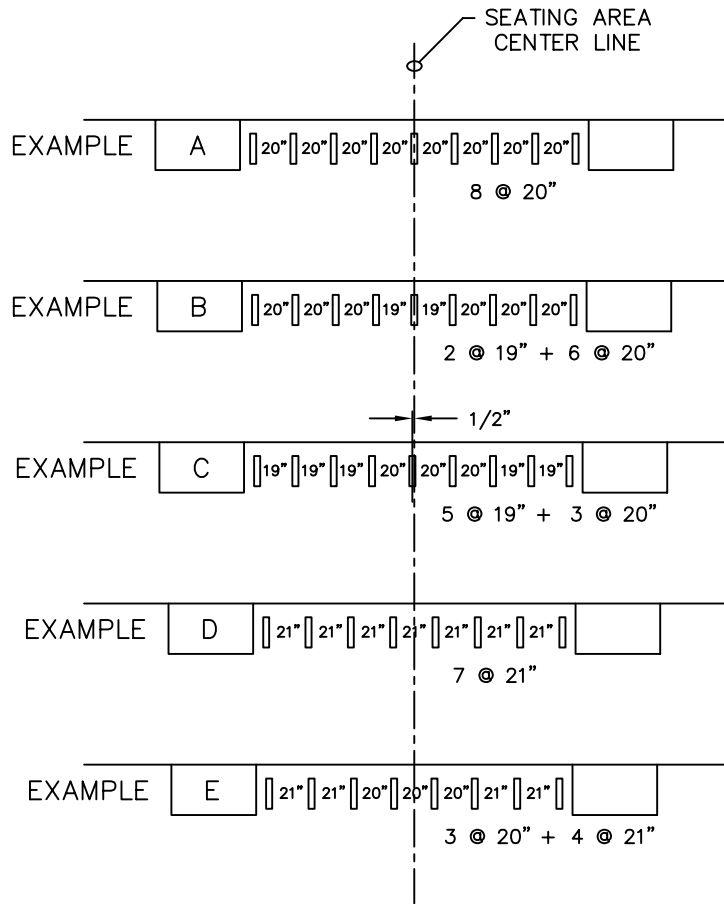


FIGURE 6

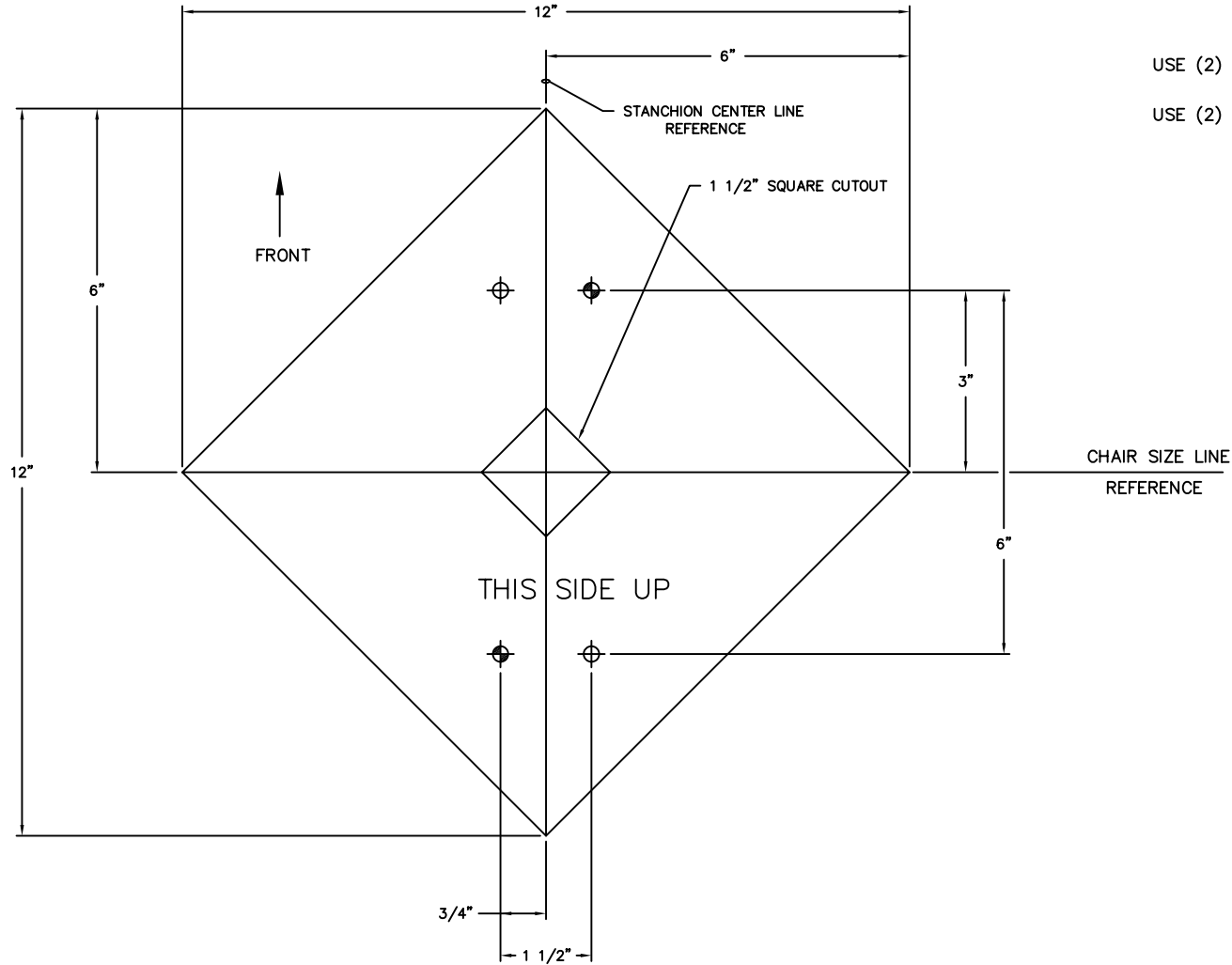
NOTES:

REV.	DESCRIPTION	BY	CHK.	DATE

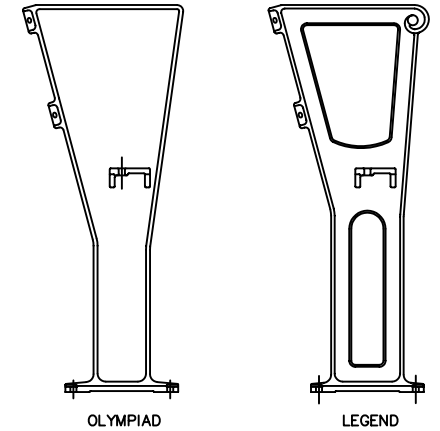
HUSSEY SEATING COMPANY
NORTH BERWICK, MAINE 03906

TITLE: CHAIR SPACING LAYOUT DATE: 7/12/96
 JOB NAME: USING CENTER LINE BETWEEN AISLES
 LOCATION:
 SCALE: DRAWN BY: J.DAVIS CHK BY: E.B. APP BY:
 PLOT SIZE: D48 DWG. NO. FIG6 SHEET NO. 1 OF 1 JOB NO.

HOLE LOCATION TEMPLATE DIMENSIONS
 OLYMPIAD CAST IRON FLOOR MOUNT STANCHIONS



- USE (2) HOLES FOR CONCRETE FLOOR
- USE (2) HOLES AND (2) HOLES FOR WOOD FLOOR



TYPICAL OLYMPIAD/LEGEND CAST IRON STANCHIONS

FIGURE 7A

NOTES:

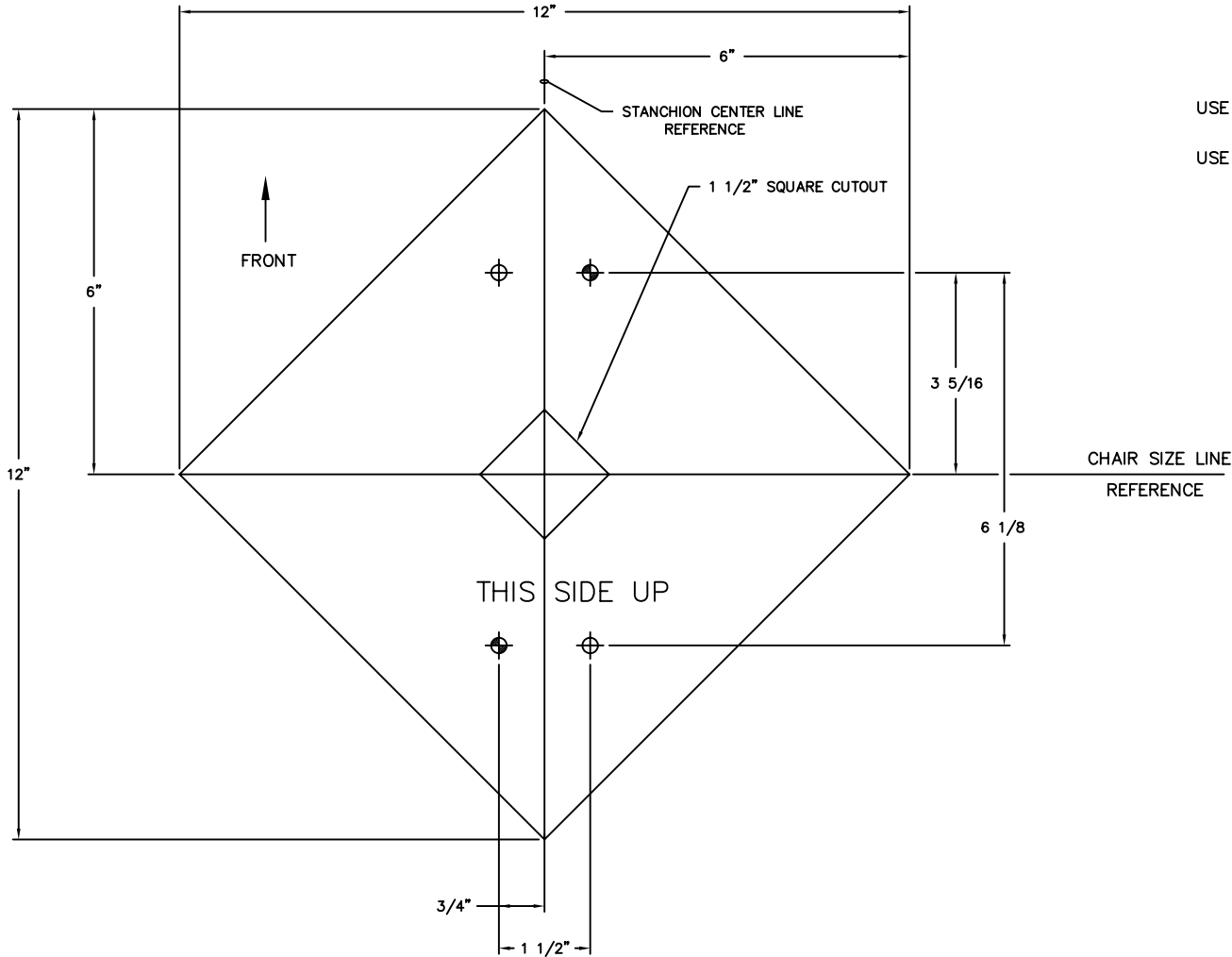
REV.	DESCRIPTION	BY	CHK.	DATE

HUSSEY SEATING COMPANY
 NORTH BERWICK, MAINE 03906

TITLE: FLOOR MOUNT TEMPLATE DATE: 6/30/08
 JOB NAME: OLYMPIAD CAST IRON FLOOR MOUNT STANCHIONS
 LOCATION: HOLE LOCATION TEMPLATE DIMENSIONAL INFORMATION
 SCALE: DRAWN BY: J.DAVIS CHK BY: E.B. APP BY:
 PLOT SIZE: D1 DWG. NO. FIG7A SHEET NO. 1 OF 1 JOB NO.

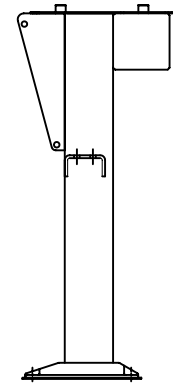
HOLE LOCATION TEMPLATE DIMENSIONS

OLYMPIAD STRAIGHT-TUBE, STEEL FLOOR MOUNT STANCHIONS



USE (2) HOLES FOR CONCRETE FLOOR

USE (2) HOLES AND (2) HOLES FOR WOOD FLOOR




TYPICAL OLYMPIAD STRAIGHT-TUBE, STEEL STANCHION

FIGURE 7B

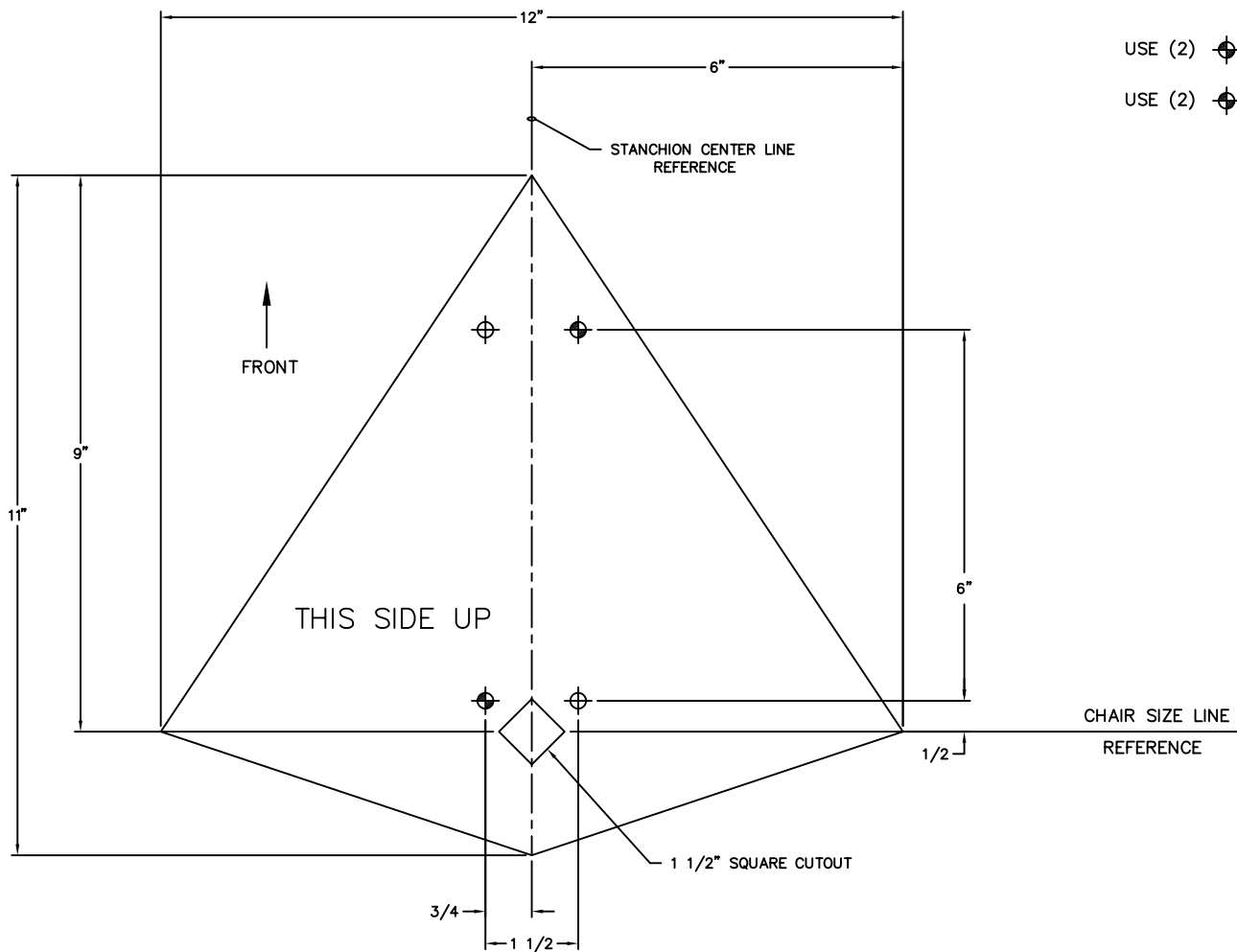
NOTES:

REV.	DESCRIPTION	BY	CHK.	DATE


HUSSEY SEATING COMPANY
 NORTH BERWICK, MAINE 03906

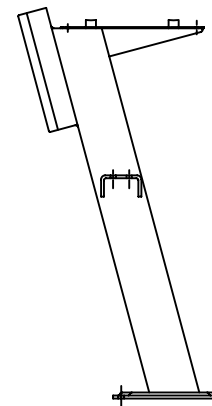
TITLE: FLOOR MOUNT TEMPLATE		DATE: 6/30/98	
JOB NAME: OLYMPIAD STRAIGHT-TUBE, STEEL FLOOR MOUNT STANCHIONS			
LOCATION: HOLE LOCATION TEMPLATE DIMENSIONAL INFORMATION			
SCALE:	DRAWN BY: J.DAVIS	CHK BY: E.B.	APP BY:
PLOT SIZE: D1	DWG. NO.: FIG7B	SHEET NO.: 1 OF 1	JOB NO.:

HOLE LOCATION TEMPLATE DIMENSIONS
OLYMPIAD RECLINED-TUBE, STEEL FLOOR MOUNT STANCHIONS



USE (2) HOLES FOR CONCRETE FLOOR

USE (2) HOLES AND (2) HOLES FOR WOOD FLOOR



TYPICAL OLYMPIAD RECLINED-TUBE, STEEL STANCHION

FIGURE 7C

NOTES:

REV.	DESCRIPTION	BY	CHK.	DATE

HUSSEY SEATING COMPANY
 NORTH BERWICK, MAINE 03906

TITLE: FLOOR MOUNT TEMPLATE		DATE: 6/30/08	
JOB NAME: OLYMPIAD RECLINED-TUBE, STEEL FLOOR MOUNT STANCHIONS			
LOCATION: HOLE LOCATION TEMPLATE DIMENSIONAL INFORMATION			
SCALE:	DRAWN BY: J.DAVIS	CHK BY: E.B.	APP BY:
PLOT SIZE: D1	DWG. NO.: FIG7C	SHEET NO.: 1 OF 1	JOB NO.:

CURVED RISER TRANSFER GAUGE

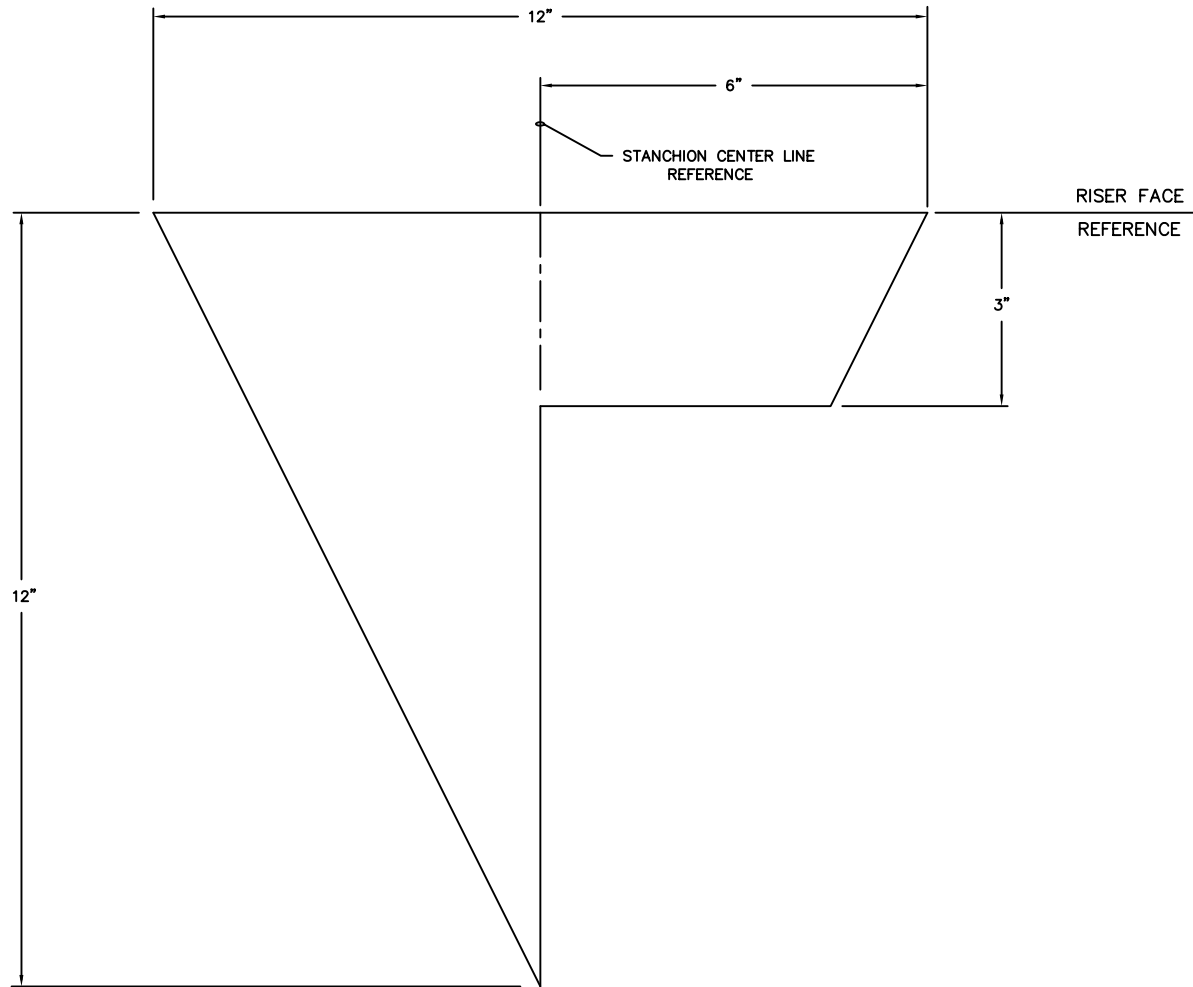



FIGURE 8

NOTES:

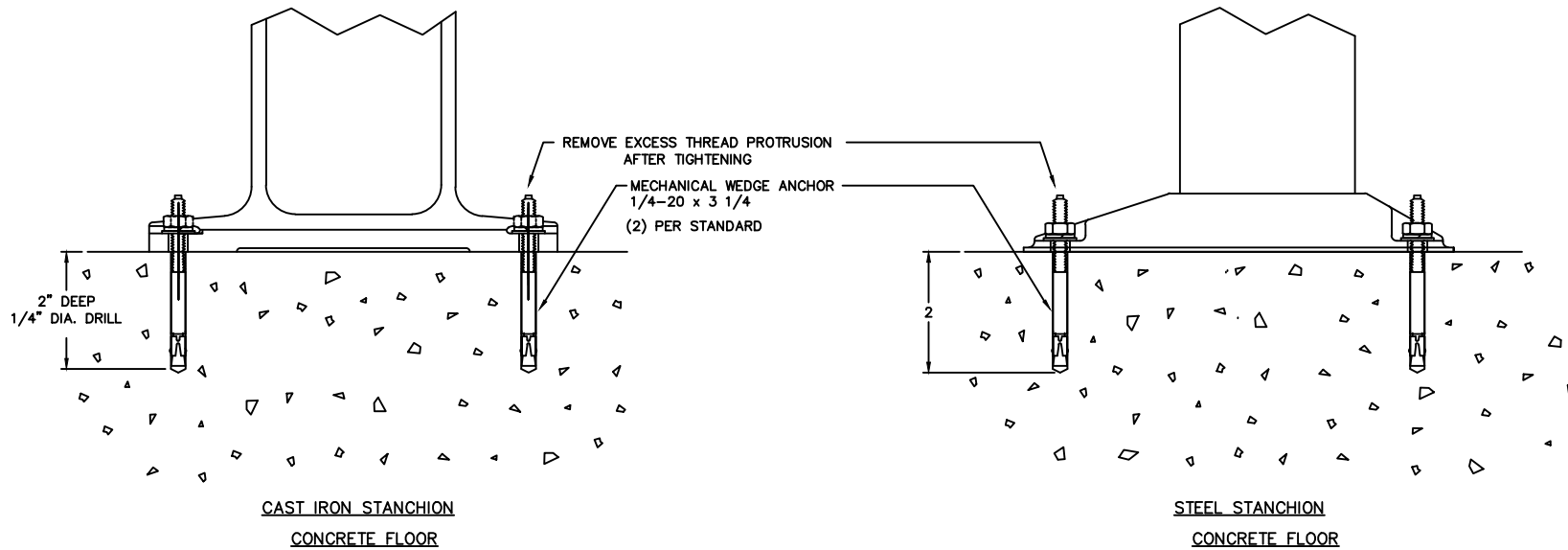
REV.	DESCRIPTION	BY	CHK.	DATE


HUSSEY SEATING COMPANY
 NORTH BERWICK, MAINE 03906

TITLE: **RISER TRANSFER GAUGE** DATE: **7/8/96**
 JOB NAME: _____
 LOCATION: _____
 SCALE: _____ DRAWN BY: **J.DAVIS** CHK BY: **E.B.** APP BY: _____
 PLOT SIZE: **D1** DWG. NO.: **FIG8** SHEET NO.: **1 OF 1** JOB NO.: _____

RECOMMENDED INDOOR AND OUTDOOR FLOOR MOUNT ANCHORS

CAST IRON AND STEEL STANCHIONS



- CAST IRON STANCHION AND STEEL STANCHION
 - CONCRETE FLOOR — MECHANICAL WEDGE ANCHOR 1/4-20 x 3-1/4" LONG TWO PER STANCHION DRILL 1/4 x 2" DEEP
 - WOOD FLOOR — LAG SCREW: 1/4 x 1 1/2" LONG 4 PER STANCHION

NOTES:

C	REMOVED WEDGE ANCHOR BRAND REFERENCE, EC-2556	IMO	KCL	01/05/11
B	MODIFIED ANCHORS		PMD	1/20/04
A	ADD SPLIT LOCK WASHERS CEC96-100		J.D. R.L.	1/22/07
REV.	DESCRIPTION	BY	CHK.	DATE

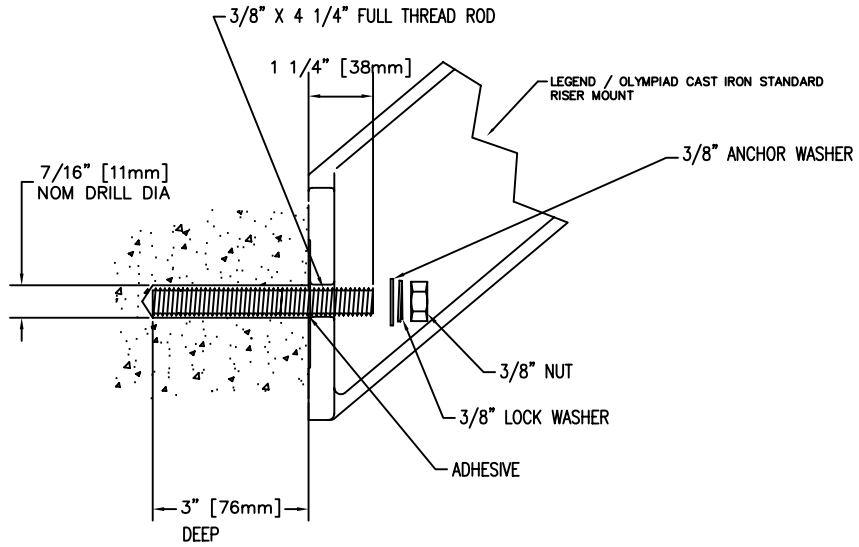
HUSSEY SINCE 1886 **HUSSEY SEATING COMPANY**
 NORTH BERWICK, MAINE 03906

TITLE: **FLOOR ANCHOR ARRANGEMENT** DATE: **8/28/96**
 JOB NAME: **CAST IRON AND STEEL STANCHIONS**
 LOCATION:
 SCALE: DRAWN BY: **J.DAVIS** CHK BY: **E.B.** APP BY:
 PLOT DWG. SHEET JOB
 SIZE **D1** NO. **FIG9** NO. **1 OF 1** NO.

FIGURE 9

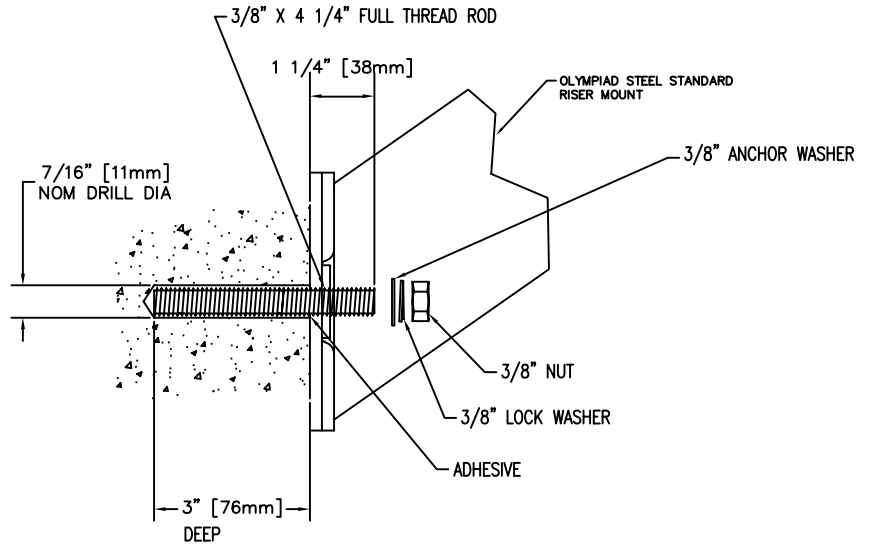
RECOMMENDED INDOOR AND OUTDOOR RISER MOUNT ANCHORS

CAST IRON STANCHIONS



RISER MOUNT ADHESIVE ANCHOR DETAIL

STEEL STANCHIONS




RISER MOUNT ADHESIVE ANCHOR DETAIL

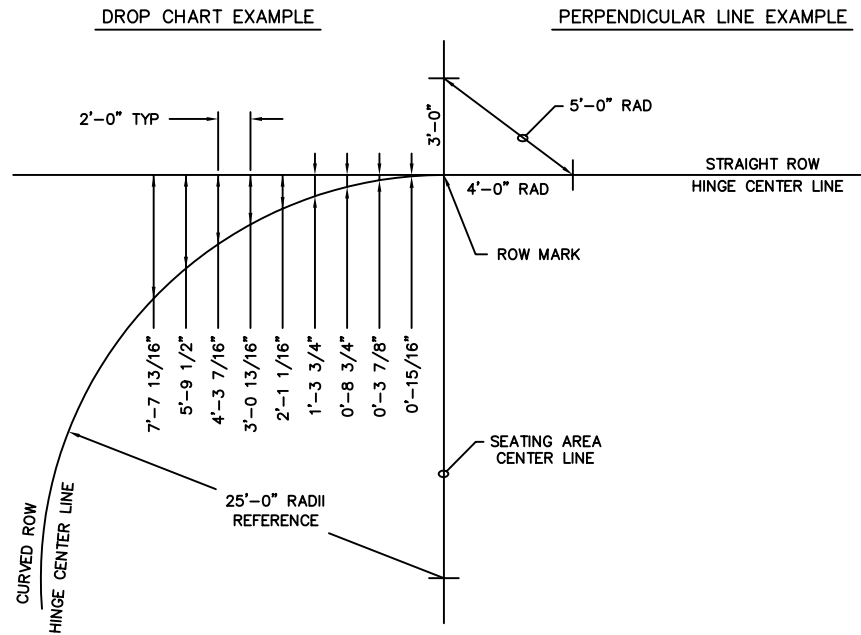
FIGURE 10

NOTES:

B	MODIFIED ANCHORS	PMD	1/20/04
A	ADD SPLIT LOCK WASHERS CEC96-100	J.D.	R.L. 1/22/97
REV.	DESCRIPTION	BY	CHK. DATE


HUSSEY SEATING COMPANY
 NORTH BERWICK, MAINE 03906

TITLE: RISER ANCHOR ARRANGEMENT		DATE: 8/28/96	
JOB NAME: CAST IRON STANCHIONS			
LOCATION:			
SCALE:	DRAWN BY: J.DAVIS	CHK BY: E.B.	APP BY:
PLOT SIZE: D1	DWG. NO. FIG10	SHEET NO. 1 OF 1	JOB NO.




DROP CHART UNDER SEPARATE COVER

FIGURE 11

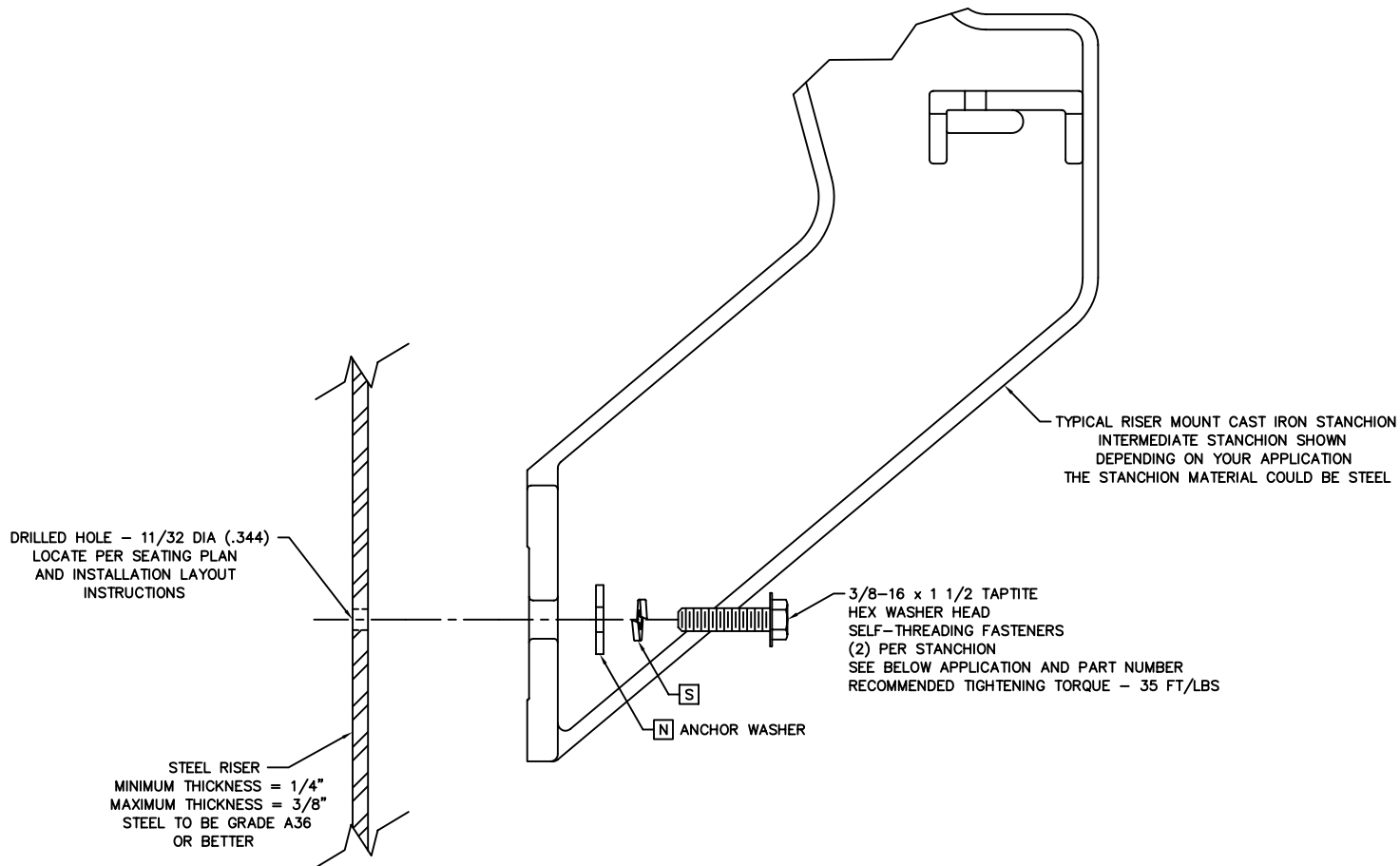
PERPENDICULAR LINE AND RADIUS LAYOUT PROCEDURES

NOTES:

REV.	DESCRIPTION	BY	CHK.	DATE


HUSSEY SEATING COMPANY
 NORTH BERWICK, MAINE 03906

TITLE:	PERPENDICULAR LINE AND RADIUS LAYOUT PROCEDURES		DATE:	7/12/96
JOB NAME:	LAYOUT PROCEDURES			
LOCATION:				
SCALE:	DRAWN BY: J.DAVIS	CHK BY: K.SMITH	APP BY:	
PLOT SIZE: D48	DWG. NO. FIG11	SHEET NO. 1 OF 1	JOB NO.	




APPLICATION	PART NUMBER	FINISH	FASTENER DESCRIPTION
INDOOR	1003089	ZINC PLATED	3/8-16 x 1 1/2 TAPTITE
OUTDOOR	1040645	JS500	

FIGURE 12

NOTES:

A	UPDATED TORQUE	FMD	1/20/04
0	ADD TO MANUAL CEC96-087	J.D. E.B.	1/22/97
REV.	DESCRIPTION	BY	CHK. DATE


HUSSEY SEATING COMPANY
 NORTH BERWICK, MAINE 03906

TITLE:	STEEL RISER ATTACHMENT METHOD		DATE:	1/22/97
JOB NAME:	CAST IRON OR STEEL STANCHION			
LOCATION:				
SCALE:	DRAWN BY: J.DAVIS	CHK BY: E.B.	APP BY:	
PLOT SIZE: D1	DWG. NO. FIG12	SHEET NO. 1 OF 1	JOB NO.	

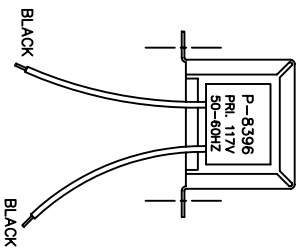
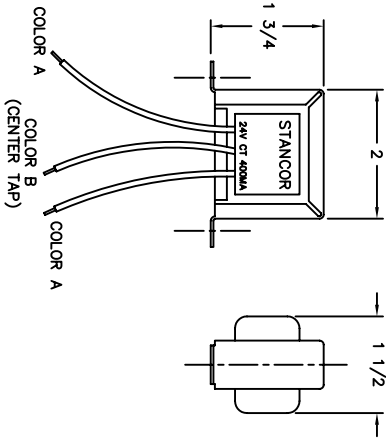
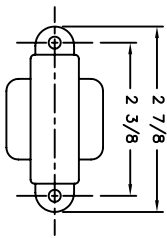


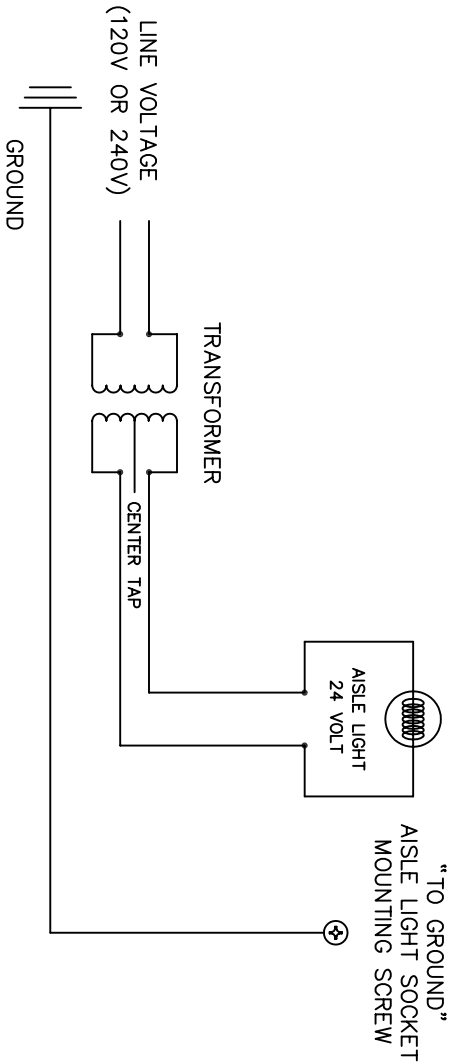
FIG. 13A

P/N . 103207Z (SHOWN)

SPECIFICATIONS: 117 VOLT PRIMARY
24 VOLT SECONDARY
400 AMP SECONDARY

P/N 1018433

SPECIFICATIONS: 230 VOLT PRIMARY
24 VOLT SECONDARY
200 AMP SECONDARY



WIRING SCHEMATIC

NOTE: SECONDARY SIDE PROVIDES 24 VOLT OUTPUT.
SECONDARY SIDE AT CENTER TAP PROVIDES 12 VOLT OUTPUT.
HUSSEY AISLE LIGHTS OPERATE ON 24 VOLT
SECURE UNNEEDED CENTER TAP TO PREVENT SHOCK, INJURY OR FIRE.

NOTES:

REV.	DESCRIPTION	BY	CHK	DATE
A	REMOVED ALL REFERENCES TO ORACLE, EC-2293	RGV		5/11/09

FINISH:

FRACTIONS	DECIMALS	ANGLES
1/32	0.001	1/2
1/16	0.002	1/4
1/8	0.005	1/8

TITLE: TRANSFORMERS		DATE: 2/1/08
JOB NAME: FOR 24 VOLT AISLE LIGHT SYSTEMS		
LOCATION:	DRAWN BY: E. LAVIATT	CHK BY:
SCALE:	DMG. FIG 13A	SHEET 1 OF 1
PLT NO. D1		NOB NO.



HUSSEY SEATING COMPANY
NORTH BERWICK, MAINE 03906

FIG. 13A

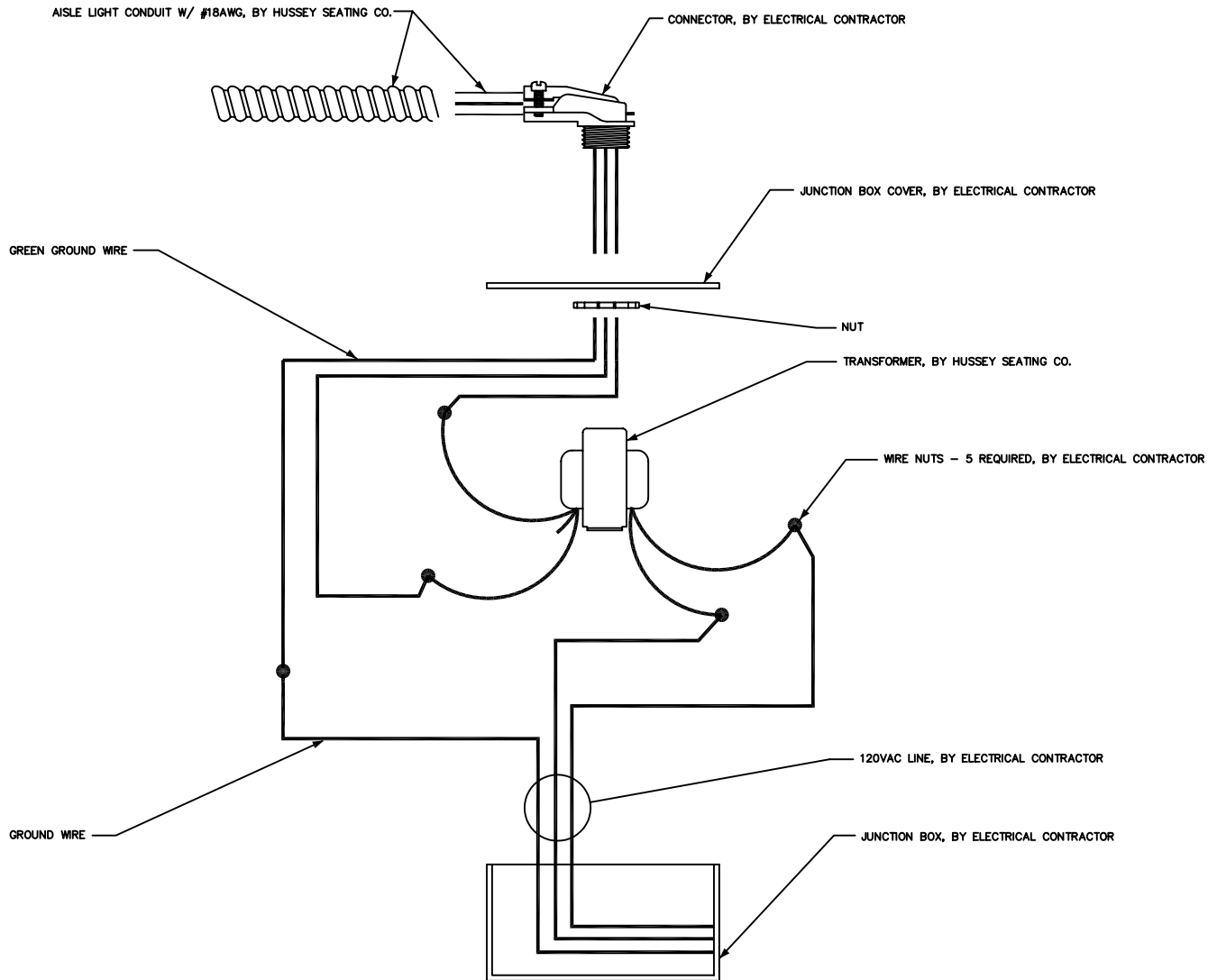


FIG13B

NOTES:

1. THE TRANSFORMER, WIRE NUTS AND WIRING SHALL BE PLACED INSIDE THE JUNCTION BOX.
2. THE JUNCTION BOX WILL BE LOCATED IN THE FLOOR OR RISER, BY THE ELECTRICAL CONTRACTOR

REV.	DESCRIPTION	BY	CHK.	DATE

FINISH:	UNLESS OTHERWISE NOTED DIMENSIONAL TOLERANCES			
	FRACTIONS	DECIMALS .XX .XXX	ANGLES	
	±1/32	±.02 ±.005	±1°	

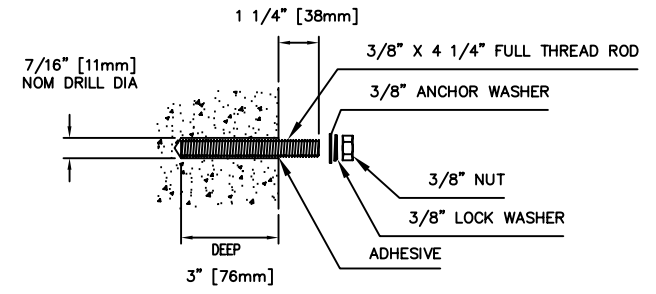
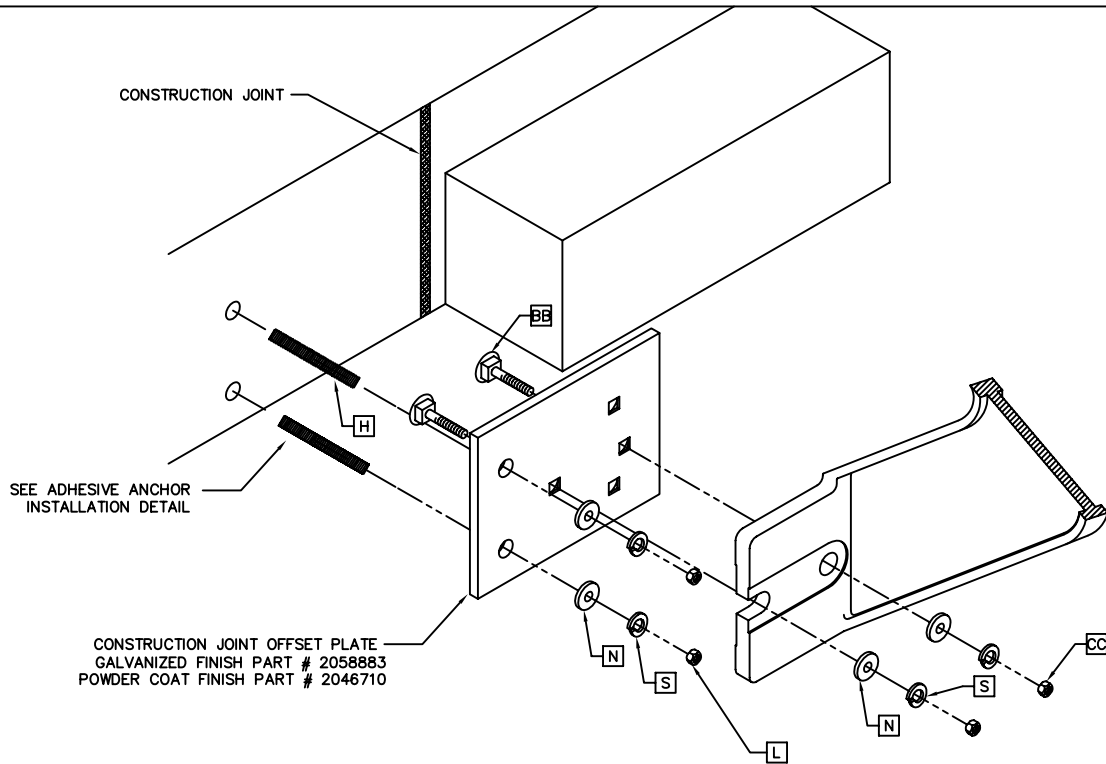
HUSSEY SEATING COMPANY
NORTH BERWICK, MAINE 03906

TITLE: TRANSFORMER INSTALLATION **DATE:** 2/4/98

JOB NAME: **LOCATION:**

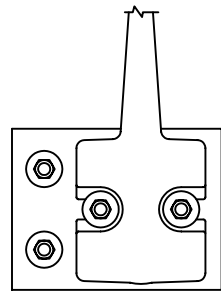
SCALE: **DRAWN BY:** K. LEAVITT **CHK BY:** **APP BY:**

PLOT SIZE: D1 **DWG. NO.:** FIG 13B **SHEET NO.:** 1 OF 1 **JOB NO.:**

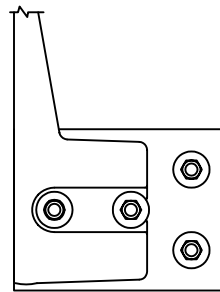


RISER MOUNT ADHESIVE ANCHOR DETAIL

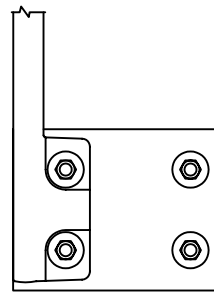
LEFT HAND MID RISE SHOWN



MID, LOW AND HIGH RISE INTERMEDIATE STANCHION



MID RISE RH END STANCHION



LOW AND HIGH RISE RH END STANCHION

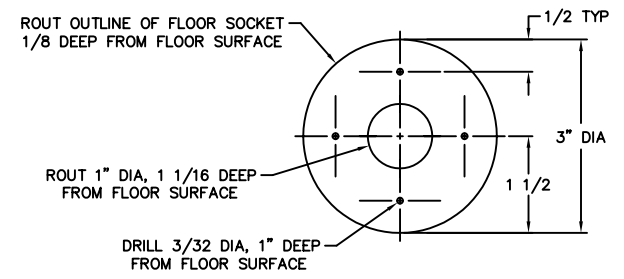
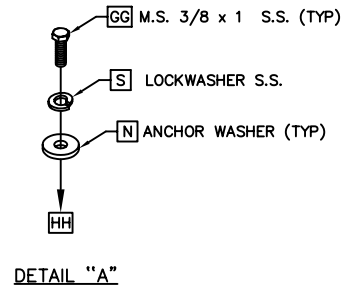
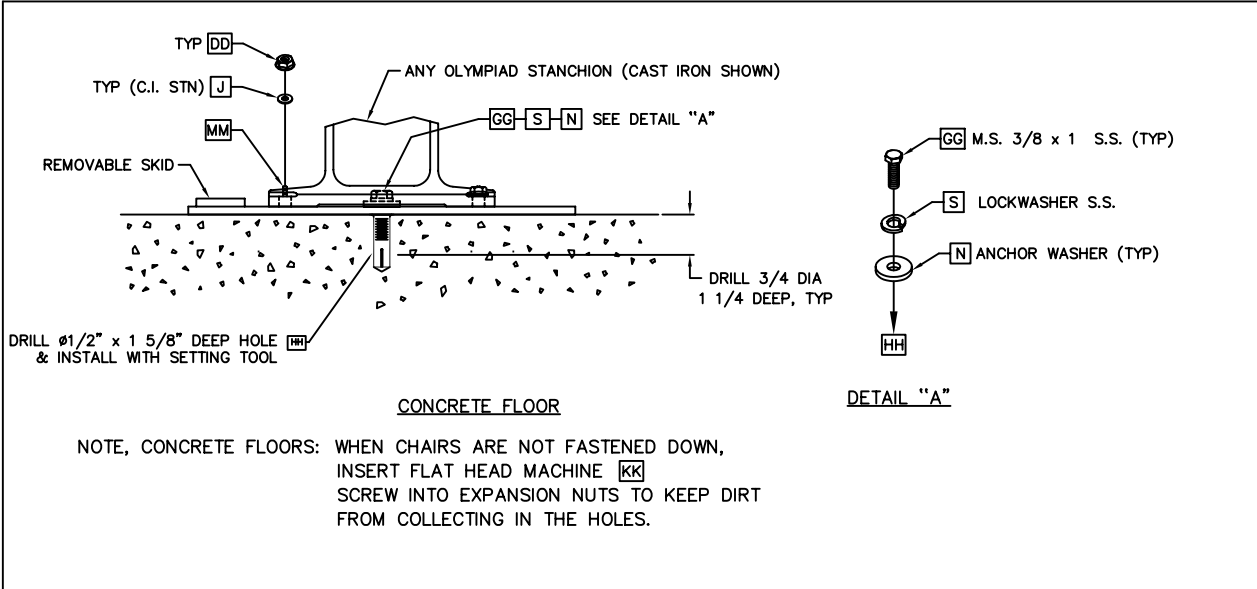
NOTES:
PLEASE NOTE THAT THE ANCHOR LOCATION IS DETERMINED ON A PER JOB BASIS.

C	MODIFIED ANCHORS	P.D.		1/20/04
B	ADDED PLATE PART NUMBERS	P.D.		6/2/03
A	REVISED PLATES	NLC	J.D.	4/30/98
O	ORIGINAL CEC97-074		K.M. K.L.L.	2/26/98
REV.	DESCRIPTION	BY	CHK.	DATE

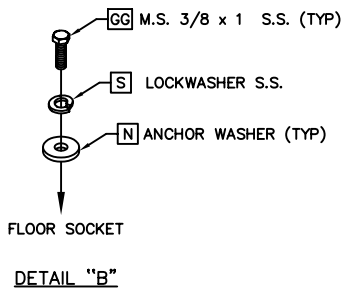
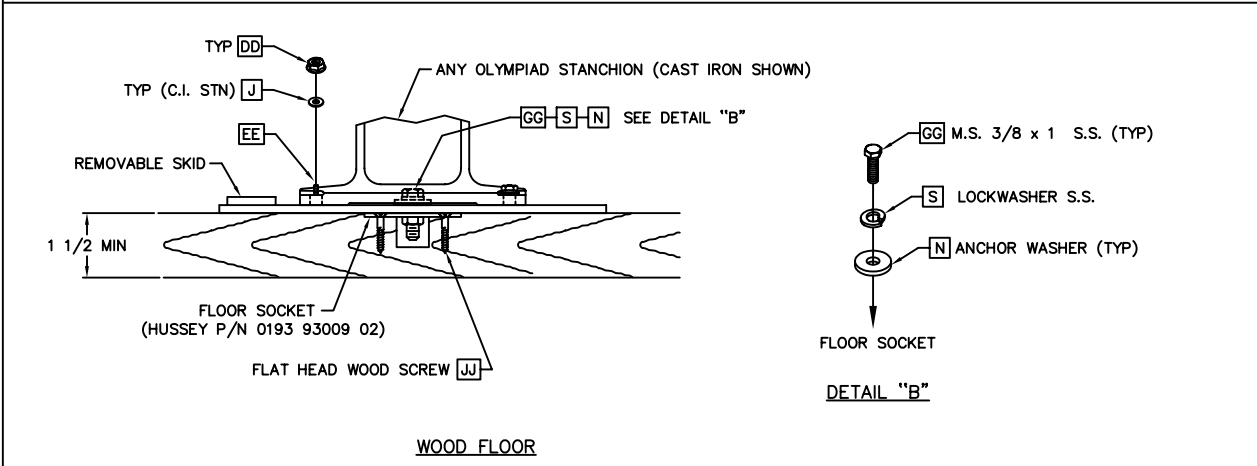
FINISH:	UNLESS OTHERWISE NOTED DIMENSIONAL TOLERANCES		
	FRACTIONS	DECIMALS	ANGLES
	±1/32	.XX .XXX	±.005 ±1°

HUSSEY SEATING COMPANY
NORTH BERWICK, MAINE 03906

TITLE: *INSTALLATION DRAWING OF CONSTRUCTION* DATE: 2/24/98
JOB NAME: *JOINT PLATE WITH OLYMPIAD STANCHION*
LOCATION:
SCALE: DRAWN BY: *KEN M* CHK BY: *K.L.L.* APP BY:
PLOT SIZE: *D2* DWG. NO. *FIG14* SHEET *1 OF 1* JOB NO.



FLOOR SOCKET OUTLINE AND DRILLING INSTRUCTIONS
DRAWN 2 TIMES SIZE




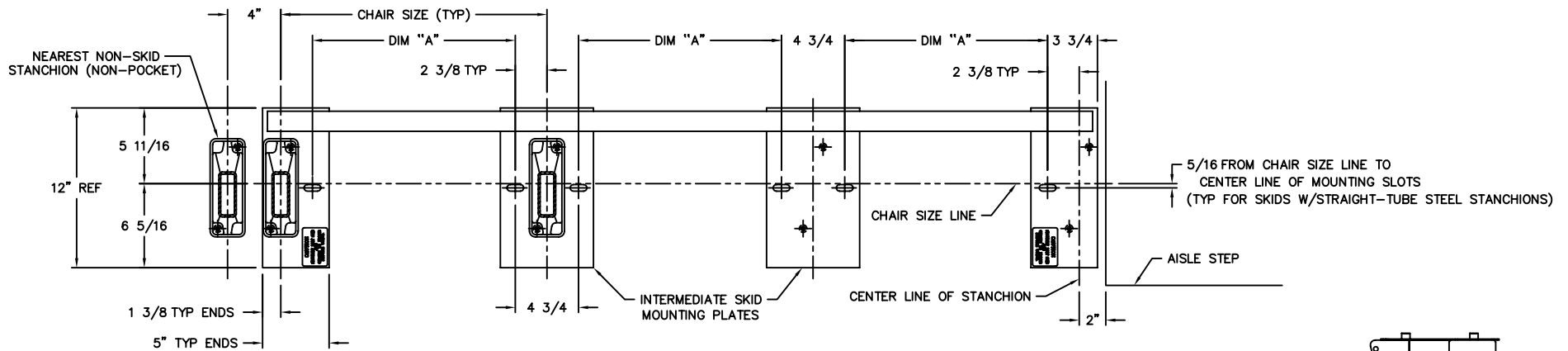
WOOD FLOOR

NOTE, WOOD FLOORS: WHEN CHAIRS ARE NOT FASTENED DOWN, INSERT [LL] 3/8 x 5/8 SOCKET HD SET SCREW INTO FLOOR SOCKET HOLES TO KEEP DIRT FROM COLLECTING IN THE HOLES.

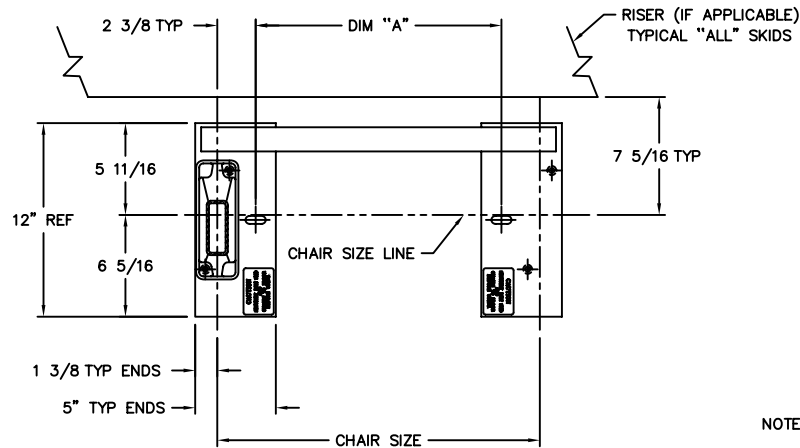
FIGURE 15A

* CAUTION: TO AVOID INJURY, SECURELY BOLT CHAIRS TO SKID AND SKID TO FLOOR BEFORE USING. *

A	MODIFIED ANCHORS		FMD		1/20/04
REV.	DESCRIPTION		BY	CHK.	DATE
 HUSSEY SEATING COMPANY NORTH BERWICK, MAINE 03906					
TITLE: MOUNTING OF OLYMPIAD REMOVABLE CHAIRS					DATE: 6/30/98
JOB NAME: TYPICAL FOR ALL STANCHIONS					
LOCATION:					
SCALE:	DRAWN BY: J.DAVIS		CHK BY: E.B.	APP BY:	
PLOT SIZE: D2	DWG. NO. FIG15A	SHEET 1 OF 1		JOB NO.	



OLYMPIAD 3-CHAIR SKID FOR STRAIGHT-TUBE STEEL STANCHION REMOVABLE CHAIRS

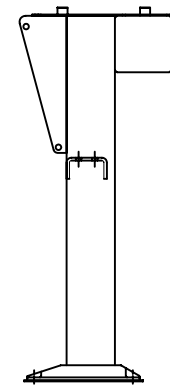


OLYMPIAD SINGLE CHAIR SKID FOR STRAIGHT-TUBE STEEL STANCHION REMOVABLE CHAIRS

NOTE: USE ONLY 1 (ONE) SKID MOUNTING ANCHOR PER INTERMEDIATE SKID MOUNTING PLATE. TWO MOUNTING SLOTS ARE INCLUDED FOR ANCHOR POSITIONING FLEXIBILITY.

CHAIR SIZE	DIM "A"
18"	13 1/4"
19"	14 1/4"
20"	15 1/4"
21"	16 1/4"
22"	17 1/4"

NOTE: DIM "A" IS THE SAME FOR ALL 1, 2, AND 3 CHAIR SKIDS.



TYPICAL OLYMPIAD STRAIGHT-TUBE STEEL STANCHION

NOTES:

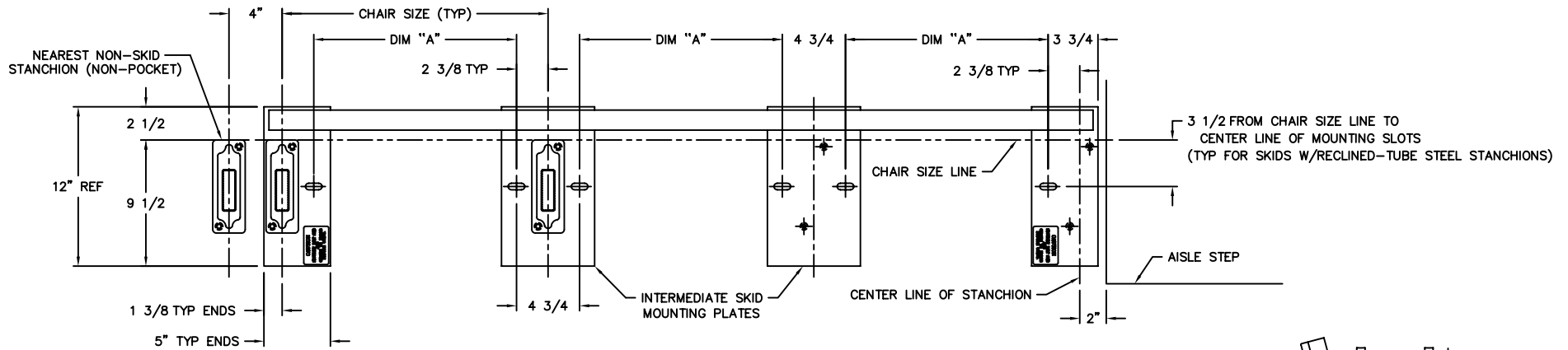
REV.	DESCRIPTION	BY	CHK.	DATE

HUSSEY SEATING COMPANY
NORTH BERWICK, MAINE 03906

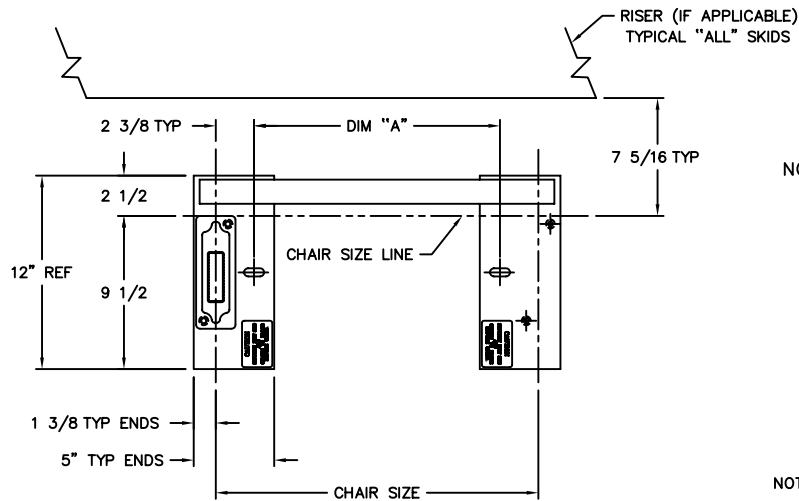
TITLE: FLOOR LAYOUT - STEEL STANCHION/REMOVABLE SKID DATE: 6/30/98
 JOB NAME: SKID-TO-FLOOR ATTACHMENT LOCATION
 LOCATION: OLYMPIAD STRAIGHT-TUBE STEEL STANCHIONS ONLY

SCALE:	DRAWN BY: J.DAVIS	CHK BY: E.B.	APP BY:
PLOT SIZE: D4	DWG. NO. FIG15B	SHEET NO. 1 OF 1	JOB NO.

FIGURE 15B



OLYMPIAD 3-CHAIR SKID FOR RECLINED-TUBE STEEL STANCHION REMOVABLE CHAIRS

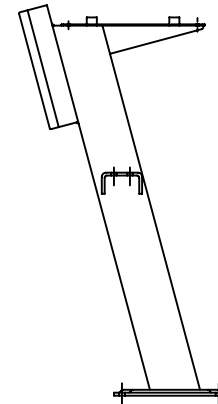


OLYMPIAD SINGLE CHAIR SKID FOR RECLINED-TUBE STEEL STANCHION REMOVABLE CHAIRS

NOTE: USE ONLY 1 (ONE) SKID MOUNTING ANCHOR PER INTERMEDIATE SKID MOUNTING PLATE. TWO MOUNTING SLOTS ARE INCLUDED FOR ANCHOR POSITIONING FLEXIBILITY.

CHAIR SIZE	DIM "A"
18"	13 1/4"
19"	14 1/4"
20"	15 1/4"
21"	16 1/4"
22"	17 1/4"

NOTE: DIM "A" IS THE SAME FOR ALL 1, 2, AND 3 CHAIR SKIDS.



TYPICAL OLYMPIAD RECLINED-TUBE STEEL STANCHION

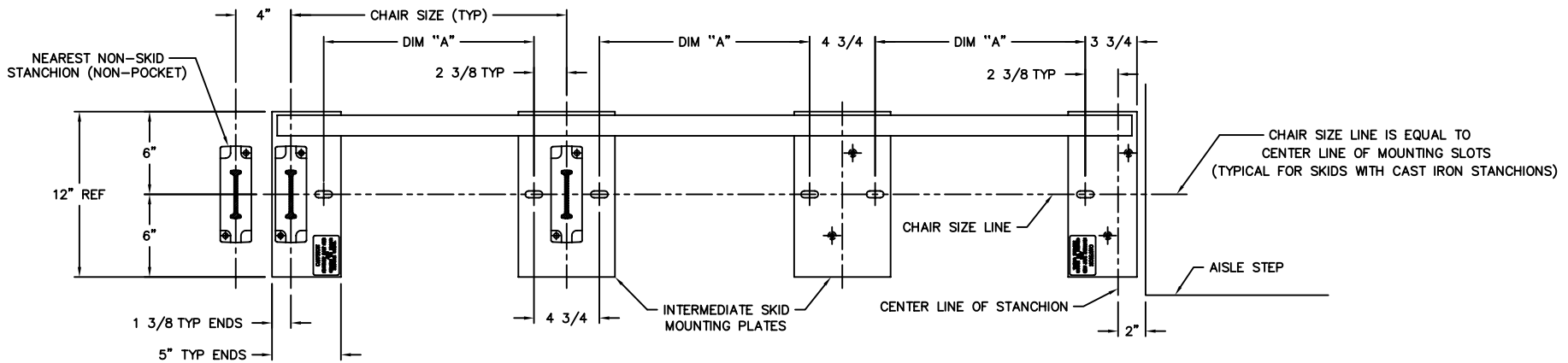
NOTES:

REV.	DESCRIPTION	BY	CHK.	DATE

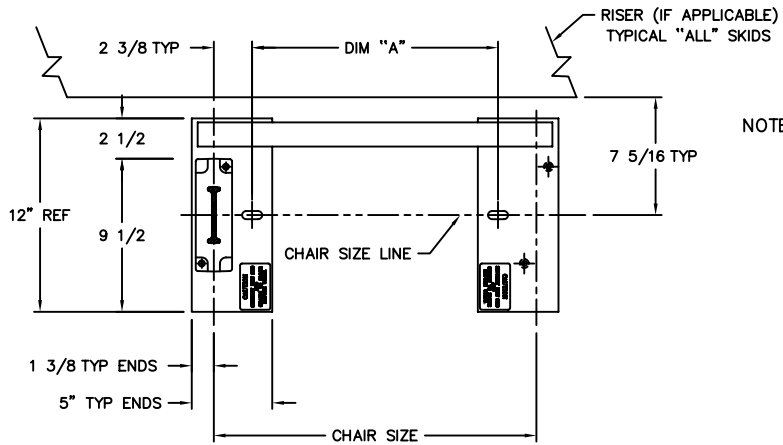
HUSSEY SEATING COMPANY
NORTH BERWICK, MAINE 03906

TITLE: FLOOR LAYOUT - STEEL STANCHION/REMOVABLE SKID DATE: 6/30/98
 JOB NAME: SKID-TO-FLOOR ATTACHMENT LOCATION
 LOCATION: OLYMPIAD RECLINED-TUBE STEEL STANCHIONS ONLY
 SCALE: DRAWN BY: J.DAVIS CHK BY: E.B. APP BY:
 PLOT SIZE: D4 DWG. NO. FIG15C SHEET NO. 1 OF 1 JOB NO.

FIGURE 15C



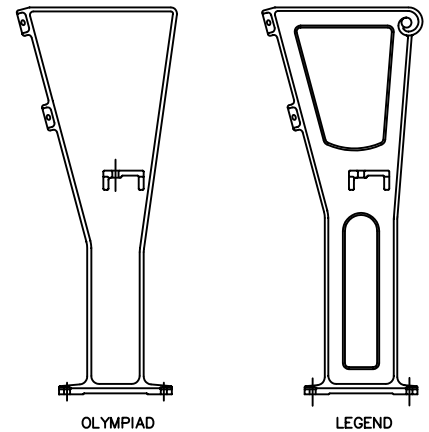
OLYMPIAD/LEGEND 3-CHAIR SKID FOR CAST IRON STANCHION REMOVABLE CHAIRS



NOTE: USE ONLY 1 (ONE) SKID MOUNTING ANCHOR PER INTERMEDIATE SKID MOUNTING PLATE. TWO MOUNTING SLOTS ARE INCLUDED FOR ANCHOR POSITIONING FLEXIBILITY.

CHAIR SIZE	DIM "A"
18"	13 1/4
19"	14 1/4
20"	15 1/4
21"	16 1/4
22"	17 1/4

NOTE: DIM "A" IS THE SAME FOR ALL 1, 2, AND 3 CHAIR SKIDS.




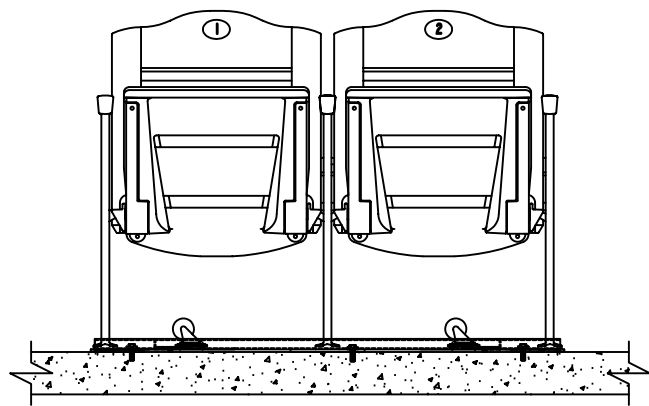
TYPICAL OLYMPIAD/LEGEND CAST IRON STANCHIONS

OLYMPIAD/LEGEND SINGLE CHAIR SKID FOR CAST IRON STANCHION REMOVABLE CHAIRS

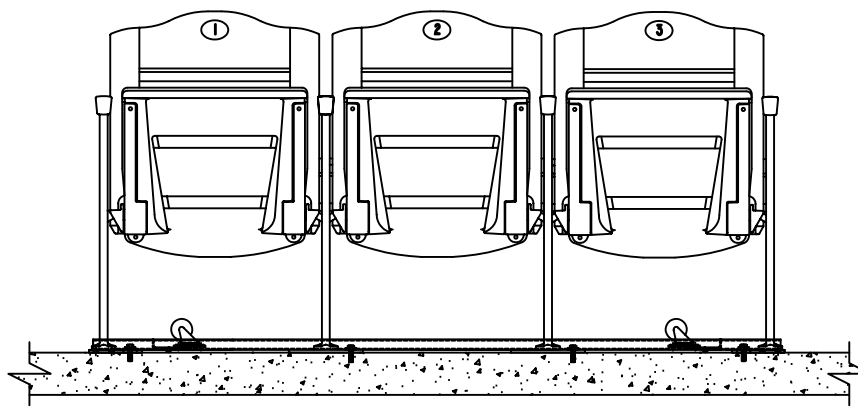
FIGURE 15D

NOTES:

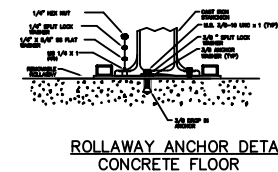
REV.	DESCRIPTION	BY	CHK.	DATE
 HUSSEY SEATING COMPANY NORTH BERWICK, MAINE 03906				
TITLE: FLOOR LAYOUT - C.I. STANCHION/REMOVABLE SKID DATE: 6/30/98				
JOB NAME: SKID-TO-FLOOR ATTACHMENT LOCATION				
LOCATION: OLYMPIAD CAST IRON STANCHIONS ONLY				
SCALE:	DRAWN BY: J.DAVIS	CHK BY: E.B.	APP BY:	
PLOT SIZE: D4	DWG. NO. FIG15D	SHEET NO. 1 OF 1	JOB NO.	



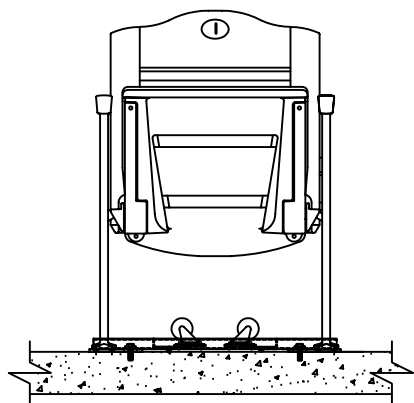
2 CHAIR – SECURED POSITION



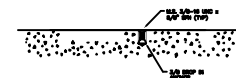
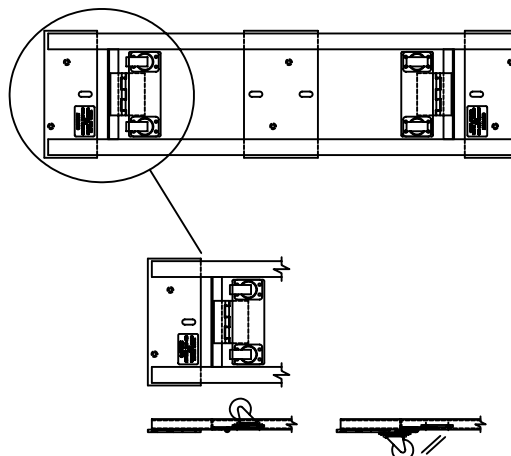
3 CHAIR – SECURED POSITION



ROLLAWAY ANCHOR DETAIL
CONCRETE FLOOR



1 CHAIR – SECURED POSITION ROLLAWAY SKID ASSY – OLYMPIAD & LEGEND



REMOVED ROLLAWAY ANCHOR DETAIL
CONCRETE FLOOR

NOTES:


REV.	DESCRIPTION	BY	CHK.	DATE
 HUSSEY SEATING COMPANY NORTH BERWICK, MAINE 03906				
TITLE: ROLLAWAY SKID				DATE: 1/20/04
JOB NAME:				
LOCATION:				
SCALE:	DRAWN BY: PMD	CHK BY:	APP BY:	
PLOT SIZE:	DWG. NO. FIG15E	SHEET NO. 1 OF 1	JOB NO.	

FIGURE 15E

#6 STANCHION MOUNTING WITH 2 SHIMS
FOR MOUNTING A #6 STANCHION ON A #2
FLOOR SLOPE

AFTER TIGHTENING NUT BREAK OFF EXCESS
ANCHOR

#6 STANCHION MOUNTING WITH 1 SHIM
FOR MOUNTING A #6 STANCHION ON A #4
FLOOR SLOPE

AFTER TIGHTENING NUT BREAK OFF EXCESS
ANCHOR

1/4" HEX NUT
SUPPLIED WITH ANCHOR

1/4" SPLIT LOCK WASHER
SUPPLIED BY HUSSEY

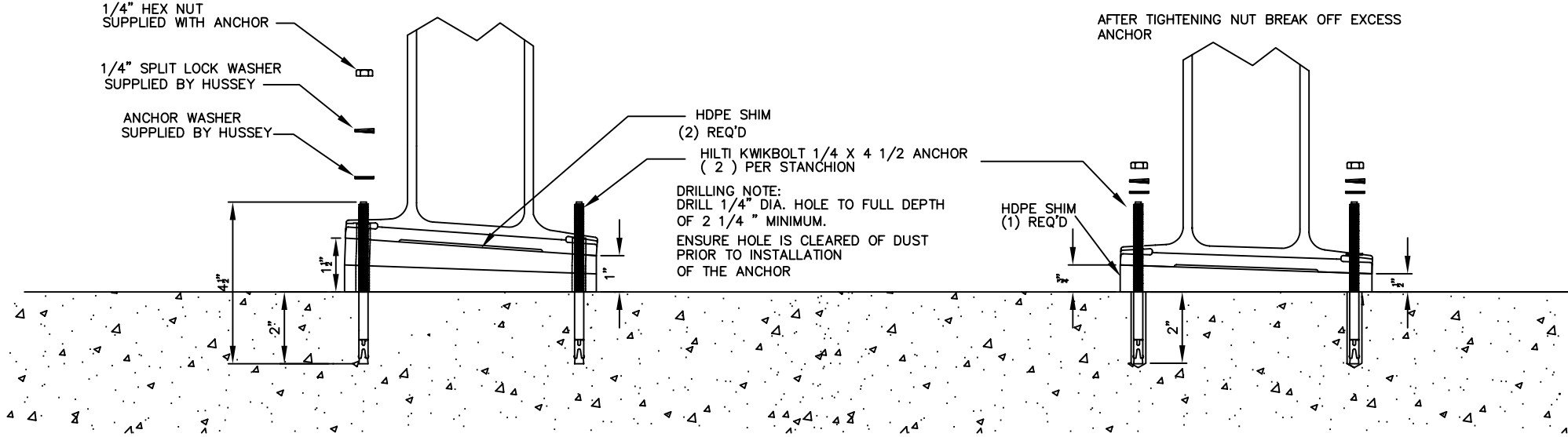
ANCHOR WASHER
SUPPLIED BY HUSSEY

HDPE SHIM
(2) REQ'D

HILTI KWIKBOLT 1/4 X 4 1/2 ANCHOR
(2) PER STANCHION

DRILLING NOTE:
DRILL 1/4" DIA. HOLE TO FULL DEPTH
OF 2 1/4 " MINIMUM.
ENSURE HOLE IS CLEARED OF DUST
PRIOR TO INSTALLATION
OF THE ANCHOR


HDPE SHIM
(1) REQ'D



HILTI KWIKBOLT 1/4 X 4 1/2 ANCHOR (ZP) ORACLE # 1025282

HDPE SHIM ORACLE # 1040875

NOTES:

0	ORIGINAL			
REV.	DESCRIPTION	BY	CHK.	DATE
UNLESS OTHERWISE NOTED DIMENSIONAL TOLERANCES				
FINISH:		FRACTIONS	DECIMALS	ANGLES
		±1/32	.XX ±.005	±1°
		HUSSEY SEATING COMPANY NORTH BERWICK, MAINE 03906		
TITLE: LEGEND & OLYMPIAD ADA SLOPED FLOOR ANCHORS DATE: 1/20/04				
JOB NAME: FOR # 4 AND # 2 SLOPE CONDITIONS				
LOCATION:				
SCALE:	DRAWN BY: PMD	CHK BY:	APP BY:	
FILE NAME	DWG. NO. FIG16	SHEET NO. 1 OF 1	JOB NO.	



OLYMPIAD™

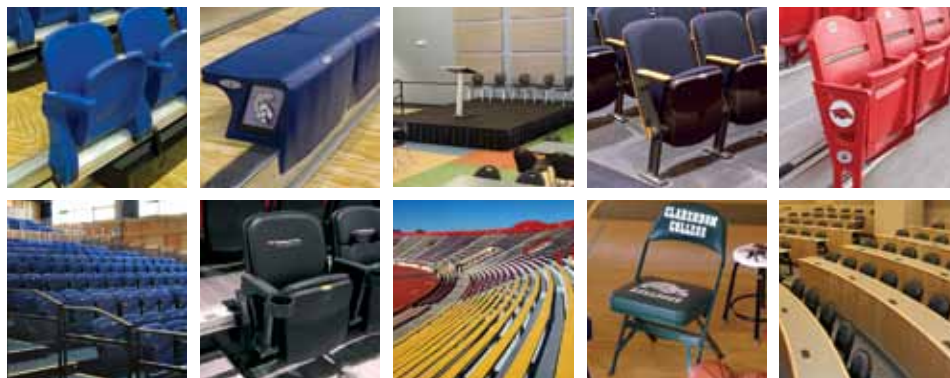
Legend™



Hussey Seating Company™

The Hussey Seating Company story dates back to 1835 with William Hussey's tremendously successful plow design, and thus, the Hussey Plow Company was born. As times changed over the next sixty years, the family set about reinventing the business, evolving into the company that is now seating the world. Today, under the sixth generation of family leadership, Hussey Seating Company is proud to be known as the leading manufacturer of seating solutions throughout the world – in stadiums, arenas, schools, universities, colleges, places of worship and anywhere people gather.

Hussey. Your partner for seating solutions.



husseyseating™

YOUR PARTNER FOR SEATING SOLUTIONS

38 Dyer Street Extension
North Berwick, Maine 03906 USA
Toll Free (USA) 1.800.341.0401
Tel: +1.207.676.2271 • Fax: +1.207.676.2222
info@husseyseating.com • www.husseyseating.com