



Tablet Arms

Taking form and function to the next level, Quattro's newly designed range of tablet arms – for writing, laptops and more – offer style with highly advanced functionality.

Uniquely designed to be an integral part of the chair, our tablet arms complement Quattro's design lines, stow within the seat space, and feature a proprietary control mechanism for quiet, reliable and safe tablet return. Writing tablet surfaces can even be customized with your choice of surface color to complement your décor.

Installations can also add one of our three tablet arm options at a later date by simply specifying the Quattro arm support for future tablet installation.



T1
Writing
Tablet Arm

T2M
Laptop
Tablet Arm

T2
Large Laptop
Tablet Arm



Designed with demanding environments in mind - the Quattro® collection's tablet arms are solidly built and beautiful to look at.

* Actual area dimensions based on perimeter shape

** In addition to the base chair envelope dimension

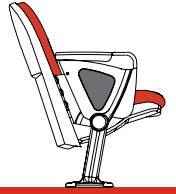
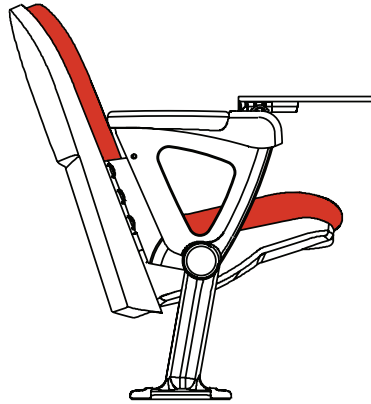
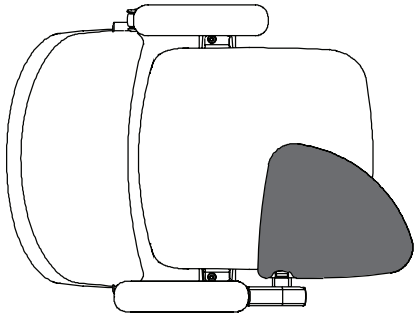
A° = back angle

B = back height

C = base chair envelope

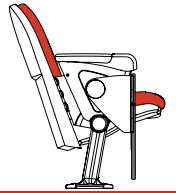
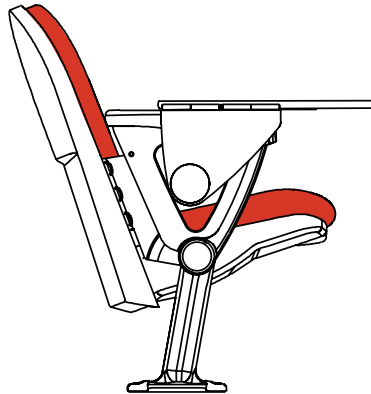
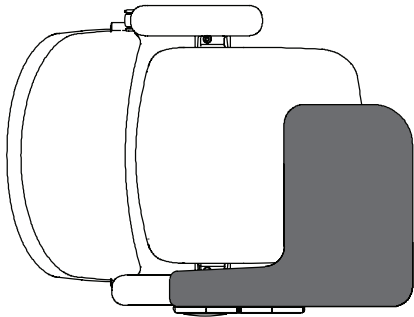
A°	B	C
21°	33" 838mm	19 7/8" 505mm
18°	33 3/4" 857mm	18 3/4" 476mm
15°	34 1/2" 876mm	17 5/8" 448mm
21°	36" 915mm	21" 534mm
18°	36 3/4" 934mm	19 3/4" 502mm
15°	37 1/2" 953mm	18 1/2" 470mm

T1 Writing Tablet Arm



	US	Metric
Minimum row spacing	35"	890 mm
Area*	94 in ²	60 cm ²
Design load as tested	300 lbs	136 kg
Dimensional data**		
- stored	2 7/8"	73 mm
- used	11"	280 mm

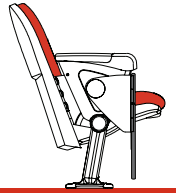
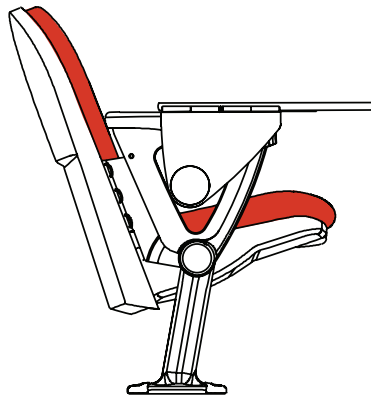
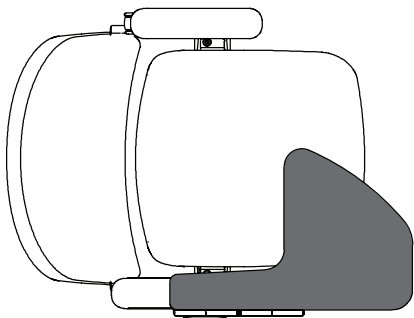
T2 Large Laptop Tablet Arm



	US	Metric
Minimum row spacing	42"	1067 mm
Area*	180 in ²	1161 cm ²
Design load as tested	150 lbs	68 kg
Dimensional data**		
- stored	2 7/8"	73 mm
- used	11 11/16"	297 mm

T2M Laptop Tablet Arm

(with minimum row spacing)



	US	Metric
Minimum row spacing	36"	914 mm
Area*	130 in ²	839 cm ²
Design load as tested	150 lbs	68 kg
Dimensional data**		
- stored	2 7/8"	73 mm
- used	11 11/16"	297 mm



husseyseating[™]

YOUR PARTNER FOR SEATING SOLUTIONS

38 Dyer Street Extension

North Berwick, Maine 03906 USA

Toll Free (USA) 1.800.341.0401

Tel: +1.207.676.2271 ■ Fax: +1.207.676.2222

info@husseyseating.com ■ www.husseyseating.com