

Quattro®

different. by design.

THEATER & AUDITORIUM SEATING



husseyseating™

YOUR PARTNER FOR SEATING SOLUTIONS

BRINGING YOUR VISION TO LIFE

Every audience space is different – from performing arts centers to auditoriums to sports & entertainment venues. And we understand that your seating solution needs to complement and enhance the design vision for that space.

Hussey Seating has a long tradition of providing high quality seats designed to be an integral part of an audience space. We also know that the key to developing and providing the perfect seating solution is an understanding of each customer's unique needs.

That collaboration is the key to our success, and we look forward to working with you to create the perfect audience seating solution for your space.

THE QUATTRO® COLLECTIONS

SOLUTIONS

Seat Styles	3
Art Series	5
Designer Series	7
Classic Series	9
Soft Side Series	11
Performance Series	13

APPLICATIONS

Performing Arts	15
Education	17
Sports & Entertainment	19
Casinos	21
Multi-Use Flexibility	23
Worship	25

Dimensions	27-28
Quattro Art Dimensions	29-30
Resources	30

Cover Photo
Quattro Collection with Designer Series Chair
MGM Theater • National Harbor, MD
HKS Architects

Quattro Collection with Classic Series Chair
Plainfield High School • Plainfield, IN
Schmidt Associates

SUPERIOR DESIGN

Create an extraordinary spectator seating experience with Quattro® fixed seating by Hussey Seating Company. Beautiful sculptural lines, state-of-the-art materials, ergonomic comfort and unprecedented flexibility are just a few of the features that set Quattro apart from the rest.

Choose from the contemporary **Quattro Collection** or the classic **Quattro Traditional Collection**, each offering our four sleek, modular seat series – Designer, Classic, Soft Side and Performance. No matter which you choose, every Quattro seat is backed by the Hussey Seating limited lifetime warranty – the best in the business.



Quattro Collection

From top to bottom, every aspect of the Quattro Collection has been designed to balance form and function in beautiful new ways. While you may opt for available end panels, Quattro Collection's stanchions are designed to be so captivating, they can stand all on their own.

Quattro Traditional Collection

A perfect blend of old and new, the Quattro Traditional Collection has a traditional stanchion and end panel, providing an elegant solution for those who prefer a more classic look. It's also a perfect solution when retrofitting to match an existing décor.

Whatever your auditorium layout, Quattro seats provide the design and dimensions you need to make a seating layout that works. Contact your local Hussey Seating expert today to start creating your custom Quattro seating layout.

THE QUATTRO® STORY STARTS AT THE BACK

The modular Quattro Collections are built on four superb seat styles, each featuring a chair back created for a distinct aesthetic and practical effect. With more choices for more applications, the Quattro Collections are built from the ground up to be different. By design.



Quattro Collection with Classic Series Chair
LeTourneau University • Longview, TX
Jones & Phillips Associates / Lewis, Elliot and Struder, Inc.



Art Series

Drape your product in the warmth of wood in any seating configuration. With multiple live areas, your creativity will flourish.



Designer Series

The elegant upholstered Designer Series, complete with finished outer back, makes an impressive statement. Choose from a broad selection of wood veneers and quality laminates for a stunning look.



Classic Series

Timeless style, great looks and a durable polymer outer panel. The hard-working Classic Series offers all this and your choice of upholstery and tailoring options. A true multi-purpose classic.



Soft Side Series

Audiences will appreciate the plush comfort, beautiful styling and excellent acoustic qualities of the Soft Side's luxurious, fully-enveloped upholstered design.



Performance Series

Designed for high-use environments, the Performance Series is virtually maintenance free, yet still upholds Quattro's high standards for comfort, style and long-lasting performance.

ART SERIES

Imagine your space with an elevated level of elegance – we have a solution for you. Say hello to refined aesthetics, natural materials, luxe fabrics and design customizations that push your venue into the 'exceptional' category. The Quattro Art Series by Hussey Seating Company delivers just this fit, finish, and appeal. Plus, we've made this distinguished look accessible and affordable for any place people gather.



Quattro Collection with Art Series Chair
Combs High School • San Tan Valley, AZ
DLR Group

Two Remarkable Design Families

Introducing Linear and Radius, two chair families that echo subtle variations in the design elements most sought after for today's performing arts venues. We've provided you the freedom and flexibility to customize seating and together we'll collaborate to create a seating solution that suits your architectural vision. Whichever look you choose, you'll enjoy whisper quiet seat return, Hussey's signature extended outer back, and the best warranty in the industry.



A. Radius
Full reveal radius with integral design and full wrap, full length end panels.



B. Radius - Dedicated Design Areas
Allow your creativity to flourish with anything from an engraved logo to variable design elements and custom shapes. Live areas are on seat bottoms, end panels, arm rests and backs.



C. Linear
Full reveal linear with integral design and half wrap, full length end panels.



D. Linear
Use the seat back live area on a Linear or Radius to unveil your signature look.

DESIGNER SERIES

As elegant as it is functional, the Designer Series seat style combines rich wood or laminate tones and plush upholstered seats to offer the ultimate in fixed spectator seating. A simple, yet stunningly smooth back design creates an amazing visual effect from the back of the venue, while the luxurious upholstery and quilting options demand attention from the front. Not only will your events 'wow' the crowd, so will your Designer Series seating.



Quattro Collection with Designer Series Chair
Harrah's Casino • Atlantic City, NJ
BLT Architects



A. Quattro Designer
Soft square, high back with cast aluminum standards, two tone color accents and T2 tablet. Shown with custom quilting.



B. Quattro Designer
Soft square, high back with cast aluminum standards, two tone color accents and T1 tablet. Shown with custom quilting.



C. Quattro Traditional Designer
Soft square, high back with wood veneer outer back and matching swept style end panel and traditional style armrest.



D. Quattro Designer
Soft square, high back with wood veneer outer panel with cherry stain and matching hardwood armrest.

High Style – The beautifully finished outer back and clean European lines of the Designer Series seat give your venue an exquisite look. Ideal for suites, corporate settings, performing arts theaters or places of worship, the Designer Series is sure to impress.

Furniture Quality – With unlimited stain options on nine rich wood veneers, over 200 distinctive laminates, and fabrics from basic to extreme luxury, your seats will have an amazing furniture-quality finish.

Countless Options – Customize your Designer Series seats with a wide array of back shapes, seat options, arm rests, tablet arms, cast aluminum or steel stanchions, aisle lights, seat ID and much more. Make it your own.

CLASSIC SERIES

Timeless style, great looks and a durable polymer outer panel make the Classic Series seat a great choice for any venue. It's a true multi-purpose classic that's comfortable, durable and attractive. Dress it up with one of our many luxury upholsteries, handsome quilting designs, and chic stanchion color combinations.



Quattro® Collection with Classic Series Chair w/ Tablet Arms
Hillside Auditorium - University of Arkansas • Fayetteville, AR
Partners Architects



Stylish and Durable – The Quattro® Classic Series seat combines the clean lines and contemporary style of a fine upholstered chair with a highly durable molded polymer back for easy maintenance and long-term piece of mind.

A Proven Classic – Handsome, comfortable and always reliable, this versatile chair is equally at home in schools, sporting and multi-purpose facilities.

Limitless Combinations – Customize your Classic Series chair with a wide choice of Quattro options to build a chair that's your own.



A. Quattro Classic
Round, low back with cast aluminum standards, hardwood armrests and one of our standard quilting offerings.

B. Quattro Classic
Soft square, low back with steel standards, cupholder armrest and one of our standard quilting offerings.

C. Quattro Traditional Classic
Round, low back with traditional steel standards with matching swept style end panel and traditional style armrest.

D. Quattro Classic
Round, low back with cast aluminum standards, wood armrests and one of our standard quilting offerings.

SOFT SIDE SERIES

Make a statement without making a sound with the Soft Side Series seat. Envelop spectators in fully upholstered comfort, absorbing audience noise while seating guests in style. Precision, elegance and luxury are the hallmarks of these fixed auditorium seats, ideal for lecture hall and performing arts seating.



Quattro® Collection with Designer Series Chair
Circus Maximus Theater • Atlantic City, NJ
Nickerson Corporation



Fully Upholstered — Wrapped in the lush fabric of your choice, with optional fully-enveloped seat pan, the Quattro® Soft Side Series seat embodies luxurious style. Add upholstered end panels for a completely draped look.

Acoustic Performance — More than just attractive, the Soft Side effectively minimizes audience noise and enhances sound absorption qualities, making it a handsome choice for performing arts venues, cinemas, houses of worship, corporate settings or wherever sound and vision come together.

Custom Options — Add your unique signature to the Soft Side with touches like a high back, aisle lights, logo embroidery, custom woven fabrics, or any of our other options and accessories.

A. Quattro Soft Side
Soft square, high back with custom embroidered back and fully enveloped seat. Accented with hardwood armrests and upholstered end panels.

B. Quattro Traditional Soft Side
Soft square, high back with fully enveloped end panel and armrests.

C. Quattro Soft Side
Soft square, low back with cast aluminum standards and cupholder armrest.

D. Quattro Soft Side
Soft square, low back with cast aluminum standards, polymer armrests and T2M tablet.

PERFORMANCE SERIES

Discover seating as versatile as it is durable, attractive and safe. Sports arenas, entertainment venues, or educational facilities - the Quattro® Performance Series is comfortable in any setting. This affordable seating is designed for performance with an eye for beauty and style. And because Quattro Performance Series seats are interchangeable with other Quattro products, they're easy to upgrade or mix and match. You can easily create tiered seating that goes from polymer to push, while maintaining a singular aesthetic style.



Quattro Traditional Collection with Plyform Chair
Carver Center For Arts & Technology • Towson, Maryland
Grimm + Parker

Performance Series - Plyform

Blending classic plywood design with advanced Hussey performance and safety, the Quattro® Performance Series Plyform stands up to the rigors of your school environment. The seats and backs are made from 11-ply cross-banded plywood. Flat-sided traditional oval steel stanchions add strength as well as style. Plus, our signature seat back design extends below the seat to keep toes from getting pinched.

A. Quattro Traditional Performance - Plyform

Soft square, contoured low back with matching plyform seat, end panels and armrests. Traditional steel standards.

Performance Series Plyform is only available with a Quattro Traditional style standard.



B. Quattro Performance - Polymer

Soft square, contoured low back with matching polymer seat. Shown with optional end panel and TR1 tablet. Traditional steel standards.



C. Quattro Performance - Polymer
Jungle back and cast aluminum standards.

D. Quattro Performance - Polymer
Crescent back and cast aluminum standards.

Performance Series - Polymer

Quattro Performance Series Polymer seats are fashioned in school-proof polymer with style that adds a touch of class to auditoriums. Each part is easy to replace, and the seats are easy to upgrade with shared Quattro components.

All Performance Series chairs are available with optional tablet arm, including our new TR-1 Tablet when equipped with our Traditional steel stanchion. The TR-1's large (110 Sq.In.) tablet stows completely within the chair space, and yet provides more seating space for the user when in use than traditional tablets. It's panic proof operation features a controlled return mechanism to ensure smooth, quiet operation.

Customize your Performance Series Polymer seats with a plain, jungle or crescent style back. Available with cast aluminum, steel or traditional steel stanchions.

PERFORMING ARTS

In a perfect union of aesthetics, functionality and comfort, Quattro® is the perfect seating solution for performing arts venues. Designed to match the stunning architectural accents of your facility, Quattro seats are just as much a part of the show as the act is. Plus, with Quattro's whisper quiet seats you won't have to worry about distracting noise as patrons shuffle in and out of their seats.



Quattro Collection with Designer Series Chair
East High School • Wichita, KS
Kansas Contract Design

Customize, affordably.

Hussey Seating Company makes the refined performing arts seating esthetic accessible and affordable for any venue. We've accomplished this by coupling flexible yet refined seating families with dedicated design spaces, which we call "live areas". Live areas provide the freedom to tailor your seating to suit your interior vision. Unveil a signature look, an extravagance previously only attainable within a pricier fully custom chair. You'll find live areas within each key wooden design element including the seat back, seat bottom, end panel, and armrest.



EDUCATION

Whether your goal is a luxurious lecture hall or a smaller, more affordable classroom, Quattro® has a fixed seating solution that fits the bill. For a formal lecture hall, choose the Quattro Designer Series or Classic Series, and for a less expensive option choose one of the Performance Series seats. No matter which seat you choose, you'll be happy with the durability, style and comfort.

Quattro® Collection with Classic Series Chair w/ Tablet Arms
Hillside Auditorium - University of Arkansas • Fayetteville, AR
Partners Architects

Stacking Quattro™

Flexible ADA Capacity On-Demand

Our new Stacking Quattro combines the convenience and flexibility of traditional portable stacking chairs with the style and comfort you expect in an upholstered auditorium chair. The Stacking Quattro maintains your room's aesthetic while providing the ability to accommodate ever-changing demand for ADA and companion seating capacity. Stacks four high on our optional transport cart for easy storage.



SPORTS & ENTERTAINMENT

From lavish suites to VIP sideline seating, arenas never looked so good, and your patrons have never been more comfortable. The Quattro® Collection has solutions for your entire arena project; solutions you can specify with confidence.



Stacking Quattro™

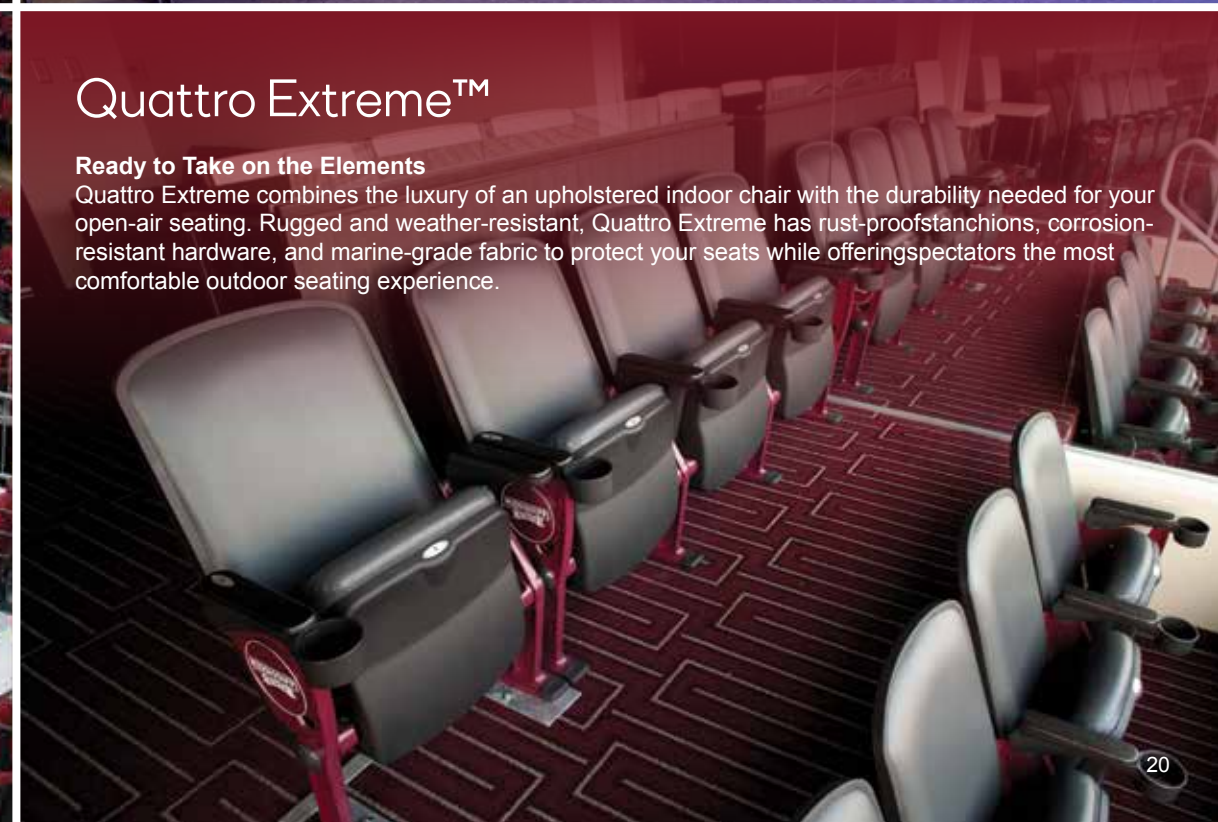
Gives new meaning to “The best seat in the house”
Combining the style and comfort of our Quattro Auditorium chair with the flexibility of a portable stacking chair, the Stacking Quattro ensures that a purchasing premium seat space means enjoying a premium spectator experience. Designed for easy ganging and available with optional cupholder arms. Available with our 30-chair storage/transport cart.



Quattro Collection with Classic Series Chair
United Center • Chicago, IL
Populous

Quattro Extreme™

Ready to Take on the Elements
Quattro Extreme combines the luxury of an upholstered indoor chair with the durability needed for your open-air seating. Rugged and weather-resistant, Quattro Extreme has rust-proof stanchions, corrosion-resistant hardware, and marine-grade fabric to protect your seats while offering spectators the most comfortable outdoor seating experience.



CASINOS

Casino guests that are used to a certain level of luxury won't be disappointed when they lean back in a plush Quattro® Collection chair to enjoy a show. Light the way to their seats with stylish aisle lights integrated into the chair frame. The Designer Series or Classic Series seats have all the features you need to dazzle your audience, including convenient front or rear mount cup holders.

Quattro Collection with Classic Series Chair
MGM Park Theater • Las Vegas, NV
Scéno Plus

Integrated LED Aisle Lights

Lighting the Way

Help your guests locate their seat row with integrated Quattro® LED Aisle Lights. Each aisle light powers three low volt (24v) LEDs that are seamlessly oriented in your choice of the armrest (high mount – shown below) or axis point (low mount). Both are U.L. Listed.

MULTI-USE FLEXIBILITY

Give your gymnasium, auditorium or cafeteria the flexibility to adapt to evolving space-use demands. Since demographic shifts usually outpace building budgets, adaptability is a critical element of school design. And nobody has more experience and expertise delivering seating solutions that maximize your school's space-use flexibility than your Hussey Seating Company dealer.



Telescopic Seating

One Facility. Unlimited Flexibility.

Adding Telescopic Seating to your facility gives you extra space that can be used for practice areas, batting cages, volleyball, gymnastics or any wide array of uses. No one offers a broader range of features, accessories, and engineering options to meet your telescopic seating needs than Hussey Seating.



Quattro® Collection with Classic Series Chair
Grand Prairie Center • Stuttgart, AR
SCM Architects

WORSHIP

Quattro® provides places of worship a seating solution that offers your congregation exponentially more comfort with individual seats for each patron instead of hard, wooden pews. Finish off the look with optional wood pew ends and handy literature holders.

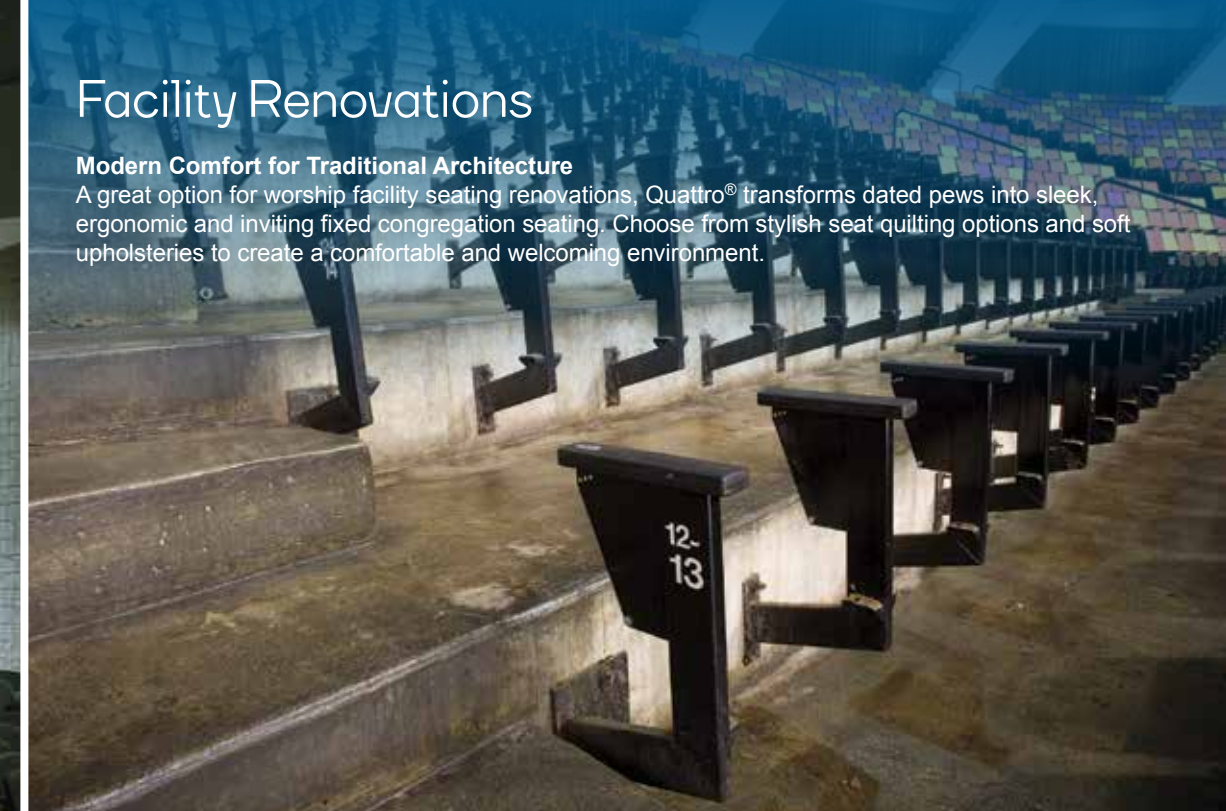


Quattro Collection with Classic Series Chair
Trinity Baptist Church • Yukon, OK
Oklahoma Automatic Door

Facility Renovations

Modern Comfort for Traditional Architecture

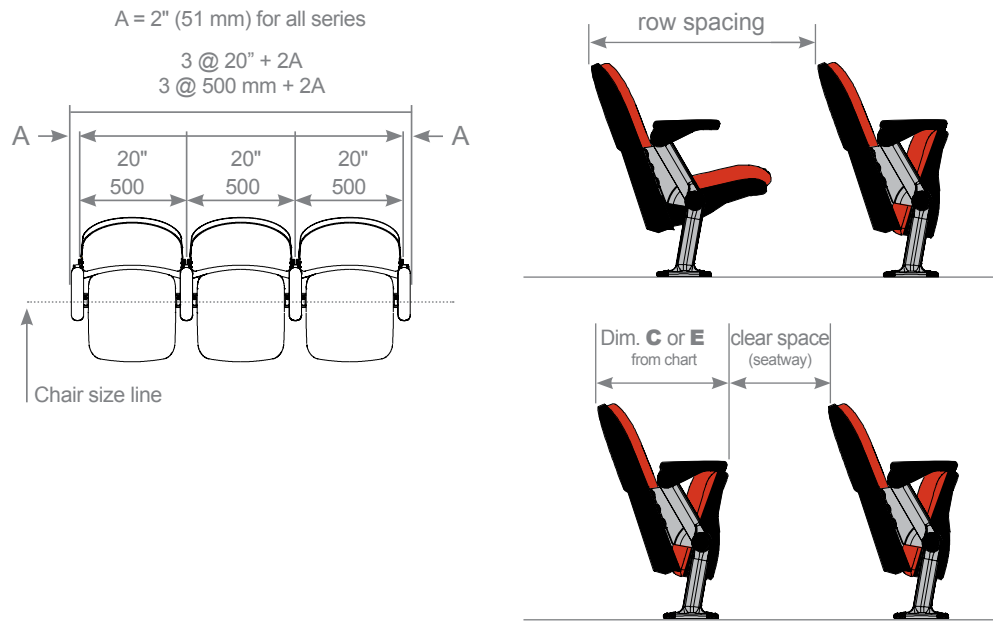
A great option for worship facility seating renovations, Quattro® transforms dated pews into sleek, ergonomic and inviting fixed congregation seating. Choose from stylish seat quilting options and soft upholsteries to create a comfortable and welcoming environment.



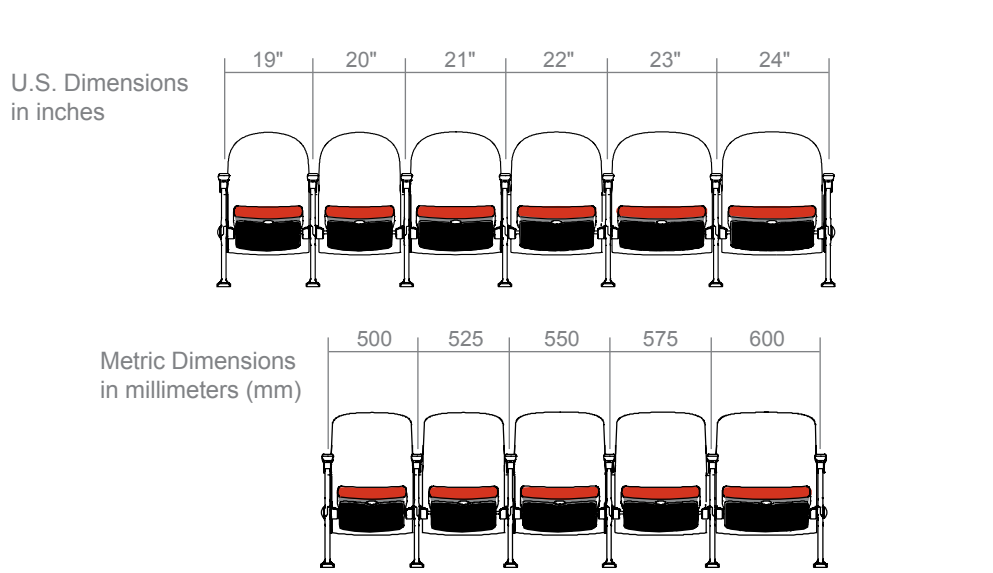
Seating Layout

Row Spacing (all Quattro series)

To help facilitate your design solution, calculate seating row lengths and row spacing by using the example below. Pick your chair series and width from the appropriate dimensional data, multiply by the number of chairs in the row and add A for each end.

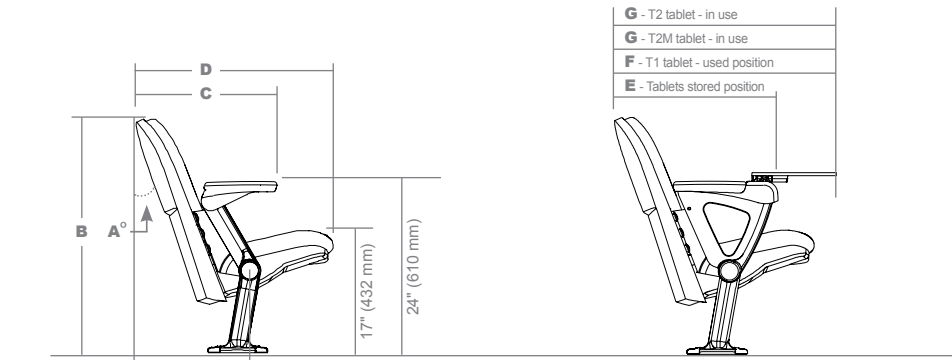


Seat Width Dimensional Data



Dimensional Data

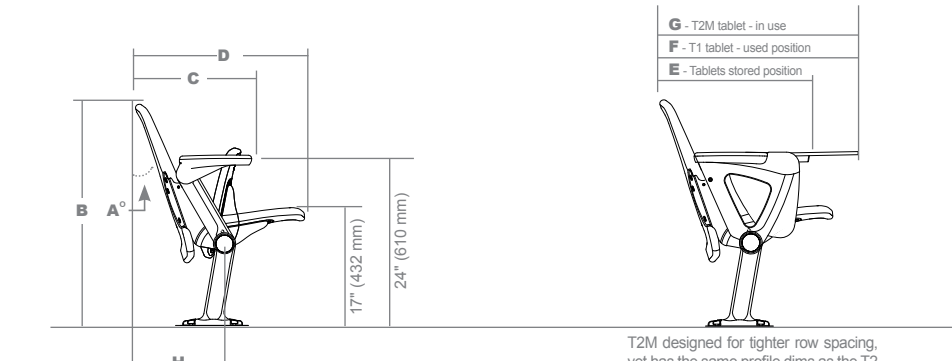
Quattro Collection: Designer, Soft Side and Classic Series



A°	B	C	D	E	F	G	H	
21°	33"	838 mm	19 7/8"	505 mm	27 7/8"	709 mm	22 3/4"	578 mm
18°	33 3/4"	857 mm	18 3/4"	476 mm	26 3/4"	680 mm	21 5/8"	549 mm
15°	34 1/2"	876 mm	17 5/8"	448 mm	25 5/8"	651 mm	20 1/2"	521 mm
12°	35"	889 mm	16 1/2"	419 mm	24 1/2"	623 mm	18 3/8"	492 mm
21°	36"	915 mm	21"	534 mm	29"	734 mm	23 7/8"	607 mm
18°	36 3/4"	934 mm	19 3/4"	502 mm	27 3/4"	705 mm	22 5/8"	575 mm
15°	37 1/2"	953 mm	18 1/2"	470 mm	26 1/2"	673 mm	21 3/8"	543 mm
12°	38"	965 mm	17 3/8"	441 mm	25 3/8"	645 mm	20 1/2"	515 mm

Maximum rise 24" (610 mm) | Minimum rise 6" (152 mm)

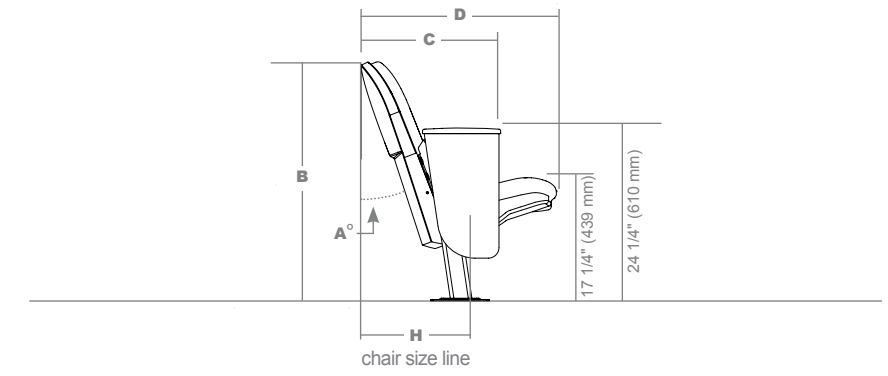
Quattro Collection: Performance Series



A°	B	C	D	E	F	G	H	
21°	31 1/2"	800 mm	16 1/2"	419 mm	23 7/8"	606 mm	19 3/8"	492 mm
18°	32"	813 mm	15 1/2"	394 mm	22 7/8"	581 mm	18 3/8"	467 mm
15°	32 5/8"	829 mm	N/A	N/A	N/A	N/A	17 1/4"	438 mm
12°	32 1/2"	826 mm	13 5/8"	346 mm	20 1/2"	521 mm	9 1/4"	235 mm

Maximum rise 24" (610 mm) | Minimum rise 6" (152 mm)

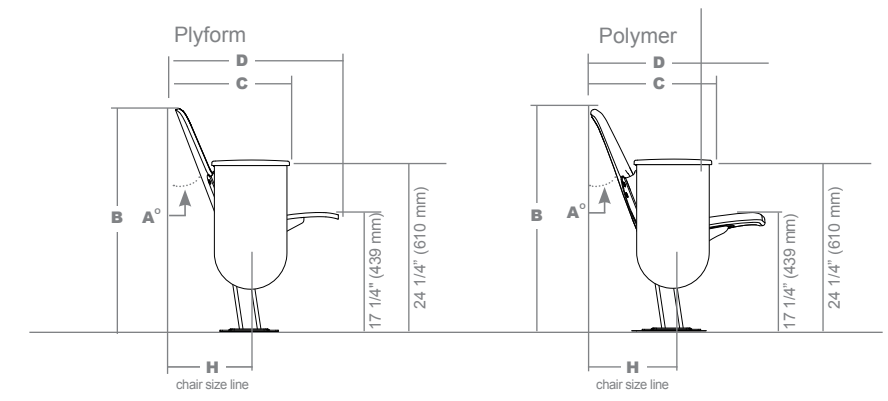
Quattro Traditional Collection: Designer, Soft Side and Classic Series



A°	B	C	D	H
21°	33 1/2"	851 mm	19 7/8"	505 mm
18°	34"	864 mm	18 3/4"	476 mm
15°	34 1/2"	876 mm	17 5/8"	448 mm
12°	35"	889 mm	16 1/2"	419 mm
21°	36"	915 mm	21"	534 mm
18°	36 3/4"	934 mm	19 3/4"	502 mm
15°	37 1/2"	953 mm	18 1/2"	470 mm
12°	38"	965 mm	17 3/8"	441 mm

Maximum rise 24" (610 mm) | Minimum rise 6" (152 mm)

Quattro Traditional Collection: Performance Series

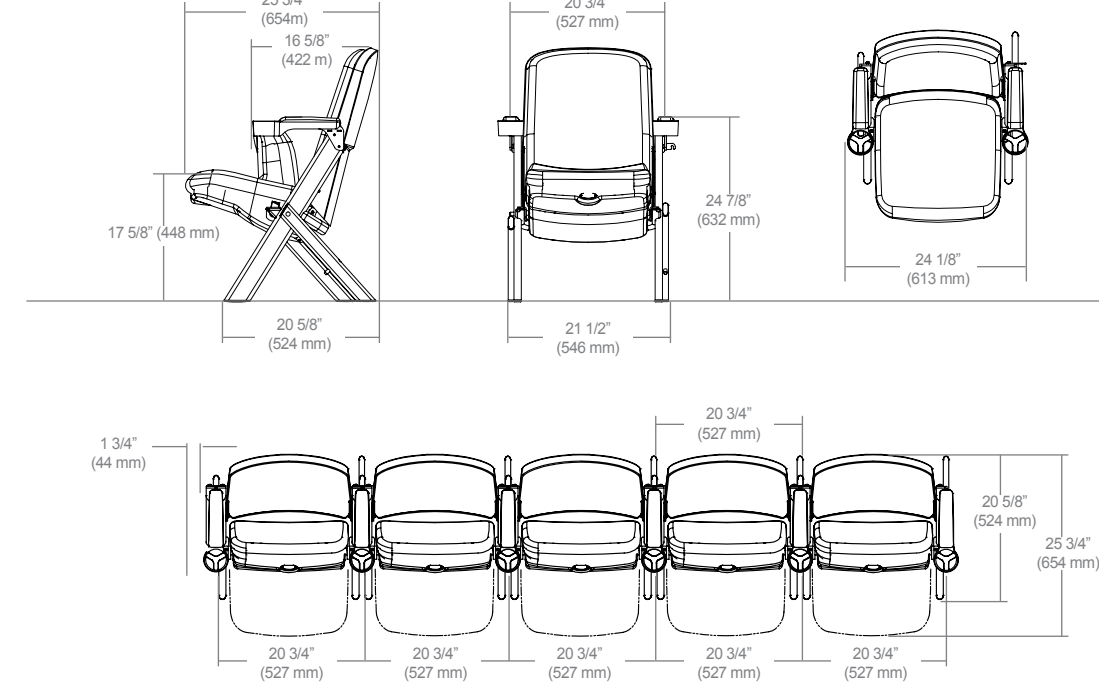


A°	B	C	D	H
21°	31 1/2"	800 mm	16 1/4"	413 mm
18°	31 7/8"	810 mm	15 3/8"	391 mm
15°	32 1/4"	819 mm	14 1/2"	368 mm
12°	32 1/2"	826 mm	13 5/8"	346 mm

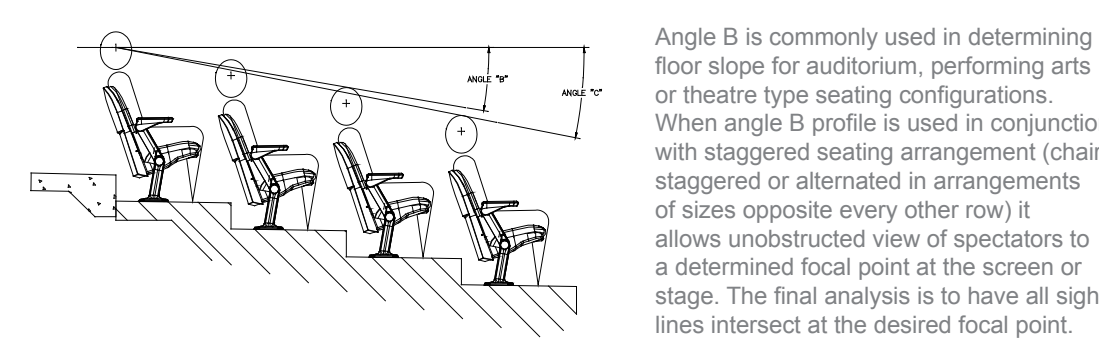
A°	B	C	D	H
21°	31 1/4"	794 mm	17 1/4"	438 mm
18°	31 3/4"	806 mm	16 3/8"	416 mm
15°	32 1/8"	816 mm	15 5/8"	397 mm
12°	32 3/8"	822 mm	14 5/8"	371 mm

Maximum rise 24" (610 mm) | Minimum rise 6" (152 mm)

Stacking Quattro



Principle of Visibility



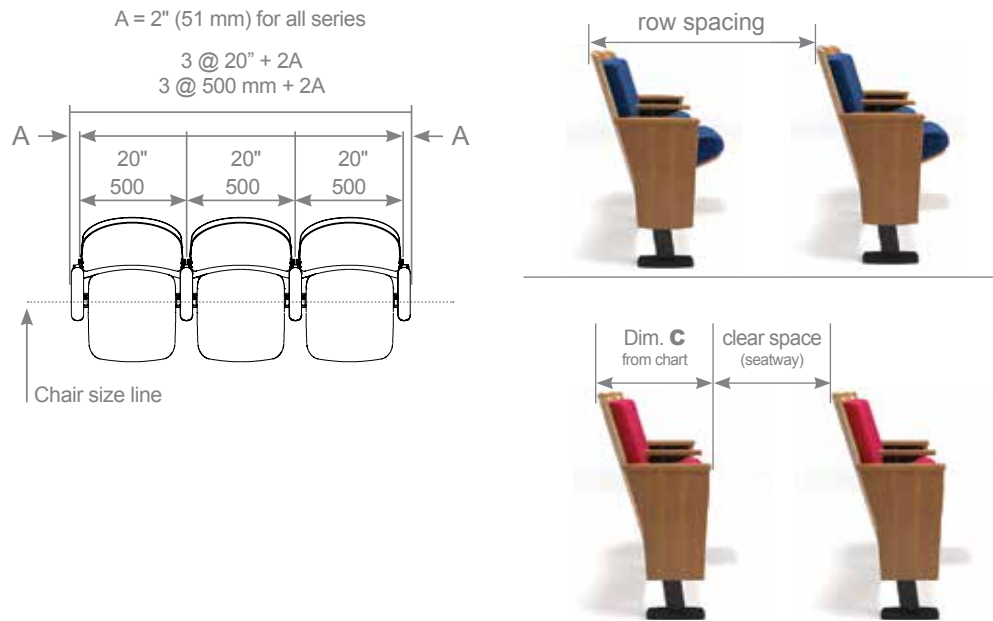
Angle B is commonly used in determining floor slope for auditorium, performing arts or theatre type seating configurations. When angle B profile is used in conjunction with staggered seating arrangement (chair staggered or alternated in arrangements of sizes opposite every other row) it allows unobstructed view of spectators to a determined focal point at the screen or stage. The final analysis is to have all sight lines intersect at the desired focal point.

Angle C is most commonly used in determining riser or stepped applications for gymnasiums, arena or stadium type seating configurations. When angle B profile is used (generally associated with an aligned seating arrangement) it allows for unobstructed view of spectators to a determined focal point at court line or line of play. The final analysis is to have all the critical sightlines intersect the focal point or line of play at generally a maximum elevation of 4' (122).

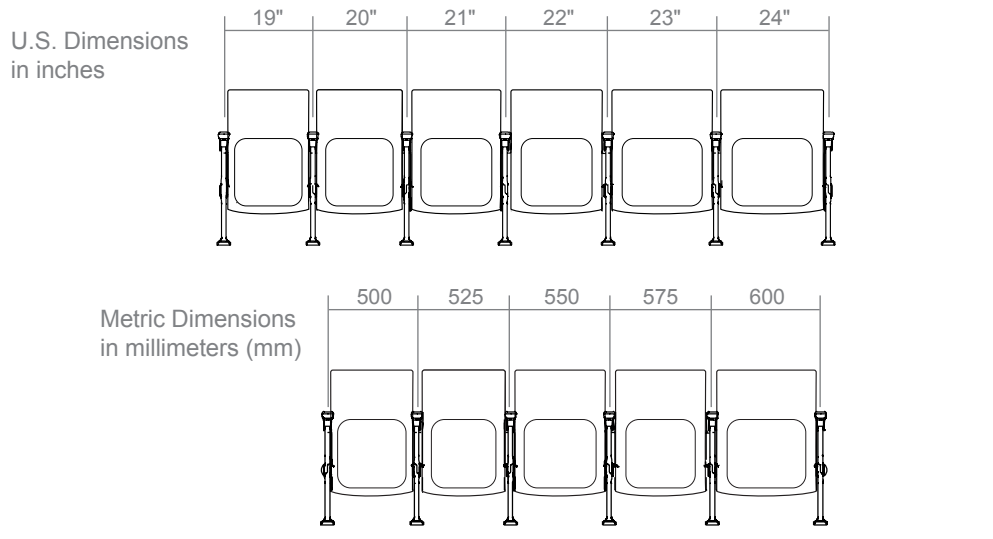
Seating Layout

Row Spacing (all Quattro series)

To help facilitate your design solution, calculate seating row lengths and row spacing by using the example below. Pick your chair series and width from the appropriate dimensional data, multiply by the number of chairs in the row and add A for each end.

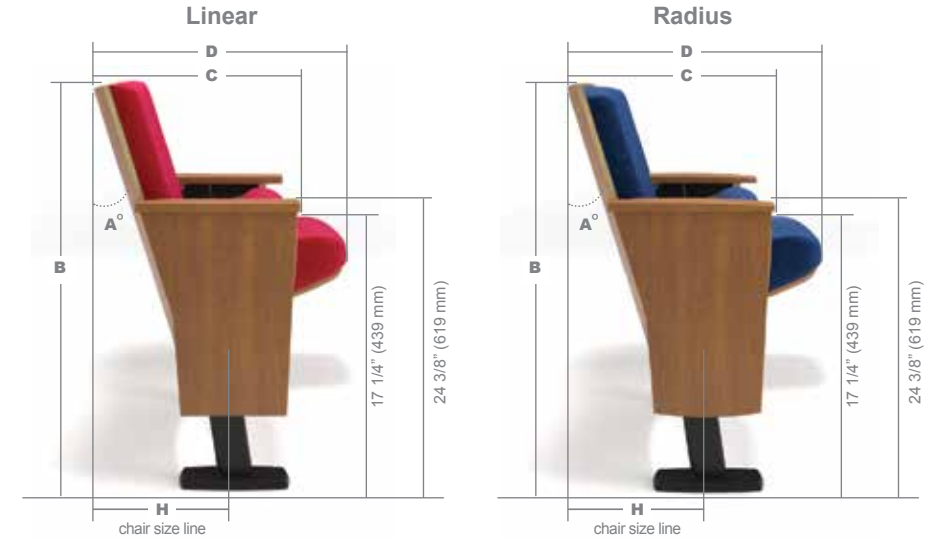


Seat Width Dimensional Data



Dimensional Data

Linear and Radius Style Backs



Linear and Radius Style Backs

Linear

A°	B	C	D	H				
21	33 7/8"	860 mm	19 3/4"	502 mm	27 3/4"	703 mm	15 3/8"	391 mm
18	34 1/4"	871 mm	18 7/8"	478 mm	26 3/4"	680 mm	14 1/2"	367 mm
15	34 3/4"	881 mm	17 7/8"	453 mm	25 3/4"	655 mm	13 1/2"	343 mm
12	35 1/8"	891 mm	16 5/8"	424 mm	24 5/8"	625 mm	12 3/8"	313 mm
21	36 7/8"	936 mm	20 7/8"	530 mm	28 7/8"	732 mm	16 1/2"	420 mm
18	37 3/8"	948 mm	19 3/4"	502 mm	27 3/4"	704 mm	15 3/8"	392 mm
15	37 3/4"	960 mm	18 5/8"	474 mm	26 5/8"	675 mm	14 1/4"	363 mm
12	38 1/4"	971 mm	17 1/4"	439 mm	25 1/4"	641 mm	13"	329 mm

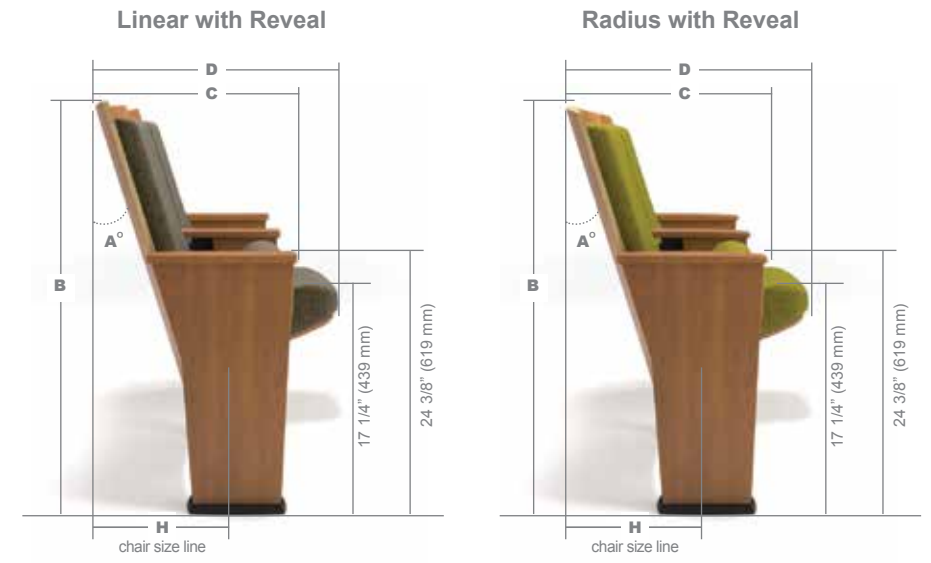
Maximum rise 24" (610 mm) | Minimum rise 6" (152 mm)

Radius

A°	B	C	D	H				
21	33 1/4"	846 mm	19 3/4"	502 mm	27 3/4"	703 mm	15 3/8"	391 mm
18	33 7/8"	859 mm	18 7/8"	478 mm	26 3/4"	680 mm	14 1/2"	367 mm
15	34 1/4"	871 mm	17 7/8"	453 mm	25 3/4"	655 mm	13 1/2"	343 mm
12	34 3/4"	883 mm	16 5/8"	424 mm	24 5/8"	625 mm	13"	329 mm
21	36 1/4"	922 mm	20 7/8"	530 mm	28 7/8"	732 mm	16 1/2"	420 mm
18	36 7/8"	936 mm	19 3/4"	502 mm	27 3/4"	704 mm	15 3/8"	392 mm
15	37 3/8"	949 mm	18 5/8"	474 mm	26 5/8"	675 mm	14 1/4"	363 mm
12	37 7/8"	963 mm	17 1/4"	439 mm	25 1/4"	641 mm	12 3/8"	313 mm

Maximum rise 24" (610 mm) | Minimum rise 6" (152 mm)

Linear and Radius Style Backs with Reveal



Reveal Linear and Radius Style Backs

Linear with Reveal

A°	B	C	D	H				
21	35 1/2"	900 mm	20 1/2"	519 mm	28 3/8"	721 mm	16 1/8"	409 mm
18	36"	913 mm	19 3/8"	493 mm	27 3/8"	695 mm	15"	382 mm
15	36 3/8"	925 mm	18 3/8"	466 mm	26 1/4"	667 mm	14"	355 mm
12	36 7/8"	937 mm	17"	433 mm	25"	635 mm	12 3/4"	323 mm
21	38 3/8"	976 mm	21 5/8"	548 mm	29 1/2"	749 mm	17 1/4"	437 mm
18	39"	991 mm	20 3/8"	517 mm	28 1/4"	719 mm	16"	407 mm
15	39 1/2"	1003 mm	19 1/8"	486 mm	27 1/8"	688 mm	14 3/4"	376 mm
12	40"	1016 mm	17 5/8"	449 mm	25 5/8"	650 mm	13 3/8"	338 mm

Maximum rise 24" (610 mm) | Minimum rise 6" (152 mm)

Radius with Reveal

A°	B	C	D	H				
21	34 7/8"	886 mm	20 1/2"	519 mm	28 3/8"	721 mm	16 1/8"	409 mm
18	35 1/2"	901 mm	19 3/8"	493 mm	27 3/8"	695 mm	15"	382 mm
15	36"	915 mm	18 3/8"	466 mm	26 1/4"	667 mm	14"	355 mm
12	36 5/8"	929 mm	17"	433 mm	25"	635 mm	12 3/4"	323 mm
21	37 7/8"	962 mm	21 5/8"	548 mm	29 1/2"	749 mm	17 1/4"	437 mm
18	38 1/2"	979 mm	20 3/8"	517 mm	28 1/4"	719 mm	16"	407 mm
15	39 1/8"	993 mm	19 1/8"	486 mm	27 1/8"	688 mm	14 3/4"	376 mm
12	39 3/4"	1009 mm	17 5/8"	449 mm	25 5/8"	650 mm	13 3/8"	338 mm

Maximum rise 24" (610 mm) | Minimum rise 6" (152 mm)



Restored Hussey Plow Co. Model No. 25, ca 1895
Main Campus • North Berwick, ME
Photo by Ron Bilodeau

Sustainability

At Hussey Seating, respecting the landscape we live in—and the hard work and well-being of the people we work with—has always been in our DNA and part of our heritage. Our commitment to environmentally friendly business practices has taken many forms over the years as standards and technology have changed.



In the 1970s, when the rest of the nation began to become more environmentally aware, we had already laid walking trails and planted a tree farm on our beautiful Maine campus. Today, going green means developing environmentally friendly paints and finishes, sourcing sustainable woods and metals, going beyond local and national regulations in clean manufacturing and waste disposal, and making deliveries on time while reducing our carbon footprint. We reduced our air emissions by 90% while tripling our seating business, so we know green business is good business.

Hussey seating solutions come in a wide range of colors—but every day our seats get greener. If you'd like to learn more about our sustainability efforts, please visit our website at www.husseyseating.com/sustainability

Resources

For all of Quattro's accessories, surface materials, fast facts, environmental data sheets and more go to www.husseyseating.com.

News & Updates

- Web: HusseySeating.com
- Facebook: facebook.com/HusseySeating
- Twitter: twitter.com/husseyseating
- YouTube: youtube.com/user/hscpublic
- LinkedIn: linkedin.com/company/hussey-seating-company

Warranty

Our factory-backed warranty is the best in the industry.

Interior Warranty
Limited Lifetime: structural standards & seat return springs
5 years: components

Exterior Warranty
Limited Lifetime: structural standards & seat return springs
5 years: components
3 years: foam, powder coat finish
1 year: upholstery stitching and thread, polymer finish

Expert Support

It's standard equipment on every Hussey product.

- Safety Inspections
- Service Contracts
- Accessories
- Custom Fabrication
- Factory-Certified Parts
- Renovation & Repair

Toll-Free (USA) 1.800.353.3308



Quattro®

different. by design.

Hussey Seating Company™

The Hussey Seating Company story dates back to 1835 with William Hussey's tremendously successful plow design, and thus, the Hussey Plow Company was born. As times changed over the next sixty years, the family set about reinventing the business, evolving into the company that is now seating the world. Today, under the sixth generation of family leadership, Hussey Seating Company is proud to be known as the leading manufacturer of seating solutions throughout the world – in stadiums, arenas, schools, universities, colleges, places of worship and anywhere people gather.

Your partner for seating solutions.



husseyseating™

YOUR PARTNER FOR SEATING SOLUTIONS

38 Dyer Street Extension
North Berwick, Maine 03906 USA
Toll Free (USA) 1.800.341.0401
Tel: +1.207.676.2271
Fax: +1.207.676.2222
info@husseyseating.com
www.husseyseating.com

Regional Offices:

Europe
Hussey Seatway
www.husseyseatway.com

Asia-Pacific & Middle East
Hussey Asia-Pacific
www.husseyasiapacific.com

